

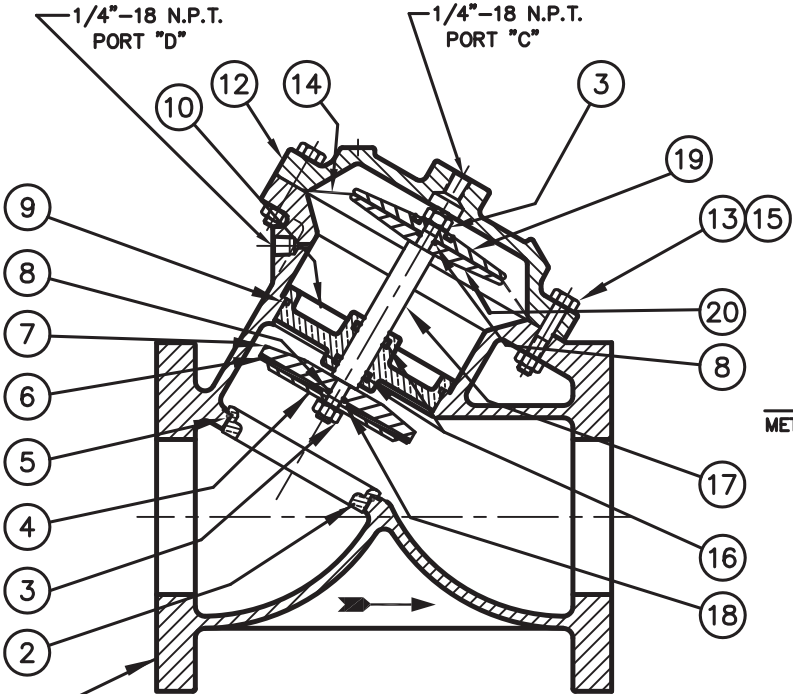
INCHES
MILLIMETERS

REPAIR PARTS KITS		
DESCRIPTION	PART NO.	
DIAPHRAGM & SEALS KIT CONSISTS OF ITEM NO'S 3(2),5,6,8(2),9,14,18(2)	1070111 (AV8-RA)	1070521 (AV8-RAHT)
	INCLUDES	
	DISC 1074571 (428-JH), DIAPHRAGM 1074557 (428-FB)	DISC 1074572 (428-JT), DIAPHRAGM 1074559 (428-FV)
INT. PARTS KIT (NORM. OPEN) CONSISTS OF STANDARD ITEM NO'S 4,7,10,11,17,18,19,20	1070522 (AV8-RF)	
SEAT (ITEM NO. 2)	1074585 (428-MAO)	

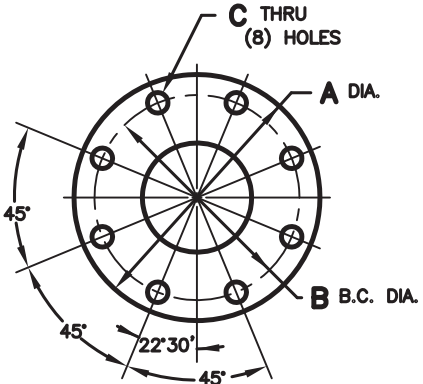
- NOTE:
- AMERICAN NATIONAL STANDARD TAPER PIPE THREADS (NPT) PER ANSI B2.1-1968
 - VALVES AVAILABLE WITH B.S.P.T. END CONNECTIONS.

FLANGE STYLE	A	B	C
AMERICAN	9.000	7.500	.750
METRIC	229 MM	180 MM	18 MM

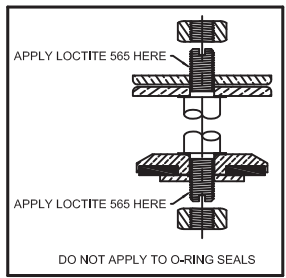
NO.	DESCRIPTION	STD	PART NO.	QTY.
1	BODY	CAST IRON	* 1074522 (428-A)	1
2	SEAT	BRASS	* 1074585 (428-MAO)	1
3	HEX NUT (3/8-24)		* 3001990	2
4	DISC PLATE	BRASS	* 1074575 (428-KA)	1
5	O-RING	FKM	* 1071811 (ORV-156)	1
6	DISC	HYPAR	* 1074571 (428-JH)	1
		AFLAS		
		GLASS FILLED TEFLON	1074572 (428-JT)	
7	DISC HOLDER	BRASS	* 1074588 (428-NA)	1
8	O-RING	FKM	* 1071787 (ORV-012)	2
9	O-RING	FKM	* 1071832 (ORV-245)	1
10	SHAFT GUIDE	BRASS	* 1074560 (428-GAO)	1
12	CAP	CAST IRON	* 1074532 (428-C)	1
13	HEX SCREW 3/8"-16	PLATED STEEL	* 1072406 (SCZ-0027)	11
14	DIAPHRAGM	BUNA N	* 1074557 (428-FB)	1
		FKM	1074559 (428-FV)	
15	HEX NUT 3/8"-16	PLATED STEEL	* 1071658 (NUZ-0014)	11
16	O-RING	AFLAS	* 1071665 (ORA-210)	2
17	SHAFT (NORMALLY OPEN)		* 1074579 (428-LAA)	1
18	DISC SPACER	BRASS	* 1074565 (428-HA)	1
19	UPPER DIAPHRAGM PLATE		* 1074554 (428-DA)	1
20	LOWER DIAPHRAGM PLATE		* 1074555 (428-DA)	1



**1072513 (VAVK-3000-80000) (4" PIPE SIZE)
NORMALLY OPEN (STANDARD)**



AMERICAN FLANGE PER A.S.A. 16.1 CLASS 125
METRIC FLANGE PER BS 4504, DIN 10 & ISO R 2084



SEE REVERSE SIDE FOR
CONFIGURATION OPTIONS

FORM NO. 1077640

G	ADDED LOCTITE APPLICATION BOX INFO	1713	MSM	22JUN07	
REV	DESCRIPTION	ECO	DWN	DATE	APVD
		20580 Enterprise Avenue Brookfield, WI 53045 888.784.9065 www.Pentairwatertreatment.com			
SERIES AV8 DIAPHRAGM VALVE STANDARD MODEL					
DRAWN		DATE		DRAWING NO.	
JWB		14MAY01		1084044	

