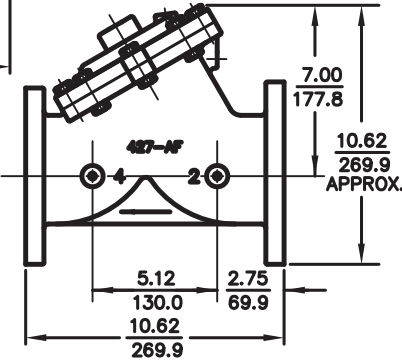


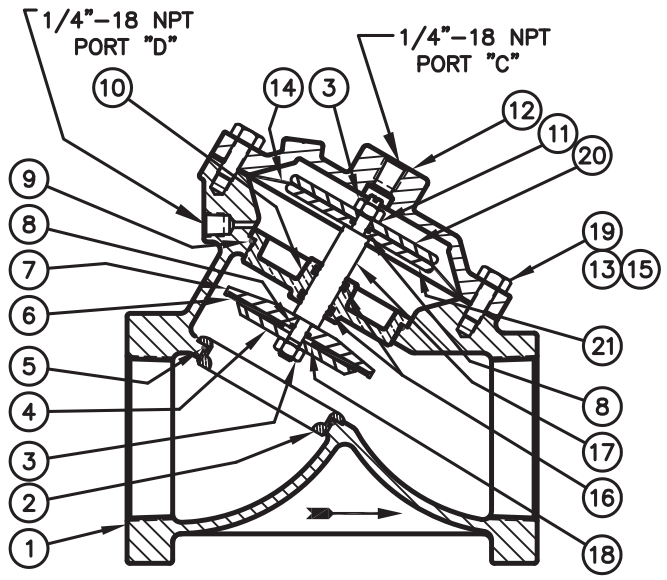
VAVI-0000-00000
3" NPT ENDS

INCHES
MILLIMETERS

- NOTE:**
1. AMERICAN NATIONAL STANDARD TAPER PIPE THREADS (NPT) PER ANSI B2.1-1968
 2. VALVES AVAILABLE WITH B.S.P.T. END CONNECTIONS.



1077128 (VAVI-3000-00000)
FLANGED ENDS



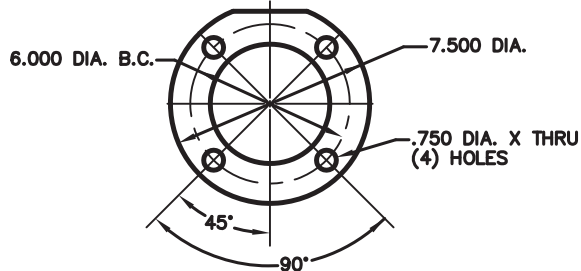
NORMALLY OPEN (STANDARD)

REPAIR PARTS KITS

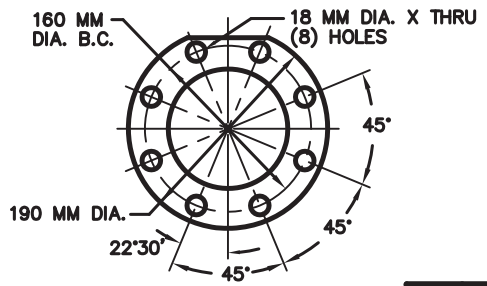
| DESCRIPTION | PART NO. | |
|--|--|--|
| DIAPHRAGM & SEALS KIT CONSISTS OF ITEM NO'S 3(2),5,6,8(2),9,14,16(2) | 1070110 (AV7-RA) | 1070516 (AV7-RAHT) |
| | INCLUDES DISC 1074490 (427-JH), DIAPHRAGM 1074475 (427-FB) | INCLUDES DISC 1074491 (427-JT), DIAPHRAGM 1074477 (427-FV) |
| | | |
| INT. PARTS KIT (NORM. OPEN) CONSISTS OF STANDARD ITEM NO'S 4,7,10,11,17,18,20,21 | 1070517 (AV7-RF) | |
| SEAT (ITEM NO. 2) | 1074505 | |

ASSEMBLY TOOLS

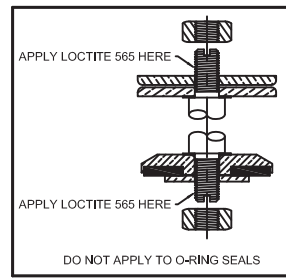
| DESCRIPTION | PART NO. |
|--|--------------------|
| FOR INSTALLATION & REMOVAL OF SHAFT GUIDE (ITEM #10) (NOT SHOWN) | 1-3/16" HEX SOCKET |



AMERICAN FLANGE PER
A.S.A. 16.1 CLASS 125



METRIC FLANGE PER
BS4504, DIN 10 & ISO R 2084



| NO. | DESCRIPTION | | STD | PART NO. | QTY. | |
|-----|-------------------------------|-----------|-------------------------|--------------------------------------|--------------------|---|
| 1 | BODY | CAST IRON | THREADED * FLANGED * | 1074446 (427-AS) 1074438 (427-AF) | 1 | |
| 2 | SEAT | | BRASS * | 1074505 | 1 | |
| 3 | HEX NUT | (5/16-24) | | 1263853 | 2 | |
| 4 | DISC PLATE | | BRASS * | 1074494 (427-KA) | 1 | |
| 5 | O-RING | | FKM * | 1071826 (ORV-233) | 1 | |
| 6 | DISC | | HYCAR * | 1074490 (427-JH) | 1 | |
| | | | AFLAS | | | |
| | | | GLASS FILLED TEFLON | 1074491 (427-JT) | | |
| 7 | DISC HOLDER | | BRASS * | 1074483 (427-HA) | 1 | |
| 8 | O-RING | | FKM * | 1071786 (ORV-011) | 2 | |
| 9 | O-RING | | FKM * | 1071828 (ORV-237) | 1 | |
| 10 | SHAFT GUIDE (REQ'S ASSY TOOL) | | BRASS * | 1074478 (427-GAO) | 1 | |
| 12 | CAP | | CAST IRON * | 1074454 (427-C) | 1 | |
| 13 | HEX SCREW | 3/8"-16 | | PLATED STEEL * | 1072405 (SCZ-0025) | 6 |
| 14 | DIAPHRAGM | | BUNA N * | 1074475 (427-FB) | 1 | |
| | | | FKM | 1074477 (427-FV) | | |
| 15 | HEX NUT | 3/8"-16 | | PLATED STEEL * | 1071658 (NUZ-0014) | 6 |
| 16 | O-RING | | AFLAS * | 1071662 (ORA-114) | 2 | |
| 17 | SHAFT (NORMALLY OPEN) | | | 1074496 (427-L) | 1 | |
| 18 | DISC SPACER | | BRASS * | 1074382 (426-HA) | 1 | |
| 19 | HEX SCREW | 3/8"-16 | | STN. STL. * | 1072359 (SCS-0020) | 2 |
| 20 | UPPER DIAPHRAGM PLATE | | | 1074472 (427-DA) | 1 | |
| 21 | LOWER DIAPHRAGM PLATE | | | 1074473 (427-DA) | 1 | |

SEE REVERSE SIDE FOR
CONFIGURATION OPTIONS

FORM NO. 1077639

| | | | | | |
|--|------------------------------------|---------|-----|-------------|------|
| H | ADDED LOCTITE APPLICATION BOX INFO | 1713 | MSM | 22JUN07 | |
| REV | DESCRIPTION | ECO | DWN | DATE | APVD |
| <p>20580 Enterprise Avenue Brookfield, WI 53045 888.784.9065 www.Pentairwatertreatment.com</p> | | | | | |
| <p>SERIES AV7 DIAPHRAGM VALVE STANDARD MODEL</p> | | | | | |
| DRAWN | | DATE | | DRAWING NO. | |
| JWB | | 15MAY01 | | 1084043 | |

