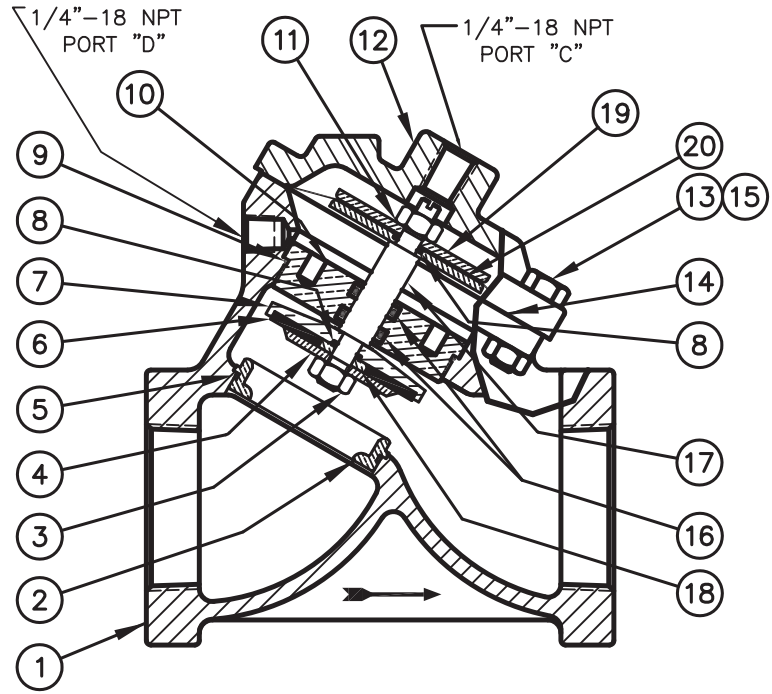


REPAIR PARTS KITS		
DESCRIPTION	PART NO.	
DIAPHRAGM & SEALS KIT CONSISTS OF ITEM NO'S 3(2),5,6,8(2),9,14,16(2)	1070108 (AV5-RA)	1070503 (AV5-RAHT)
	INCLUDES DISC 1074310 (425-JH), DIAPHRAGM 1074296 (425-FB)	INCLUDES DISC 1074311 (425-JT), DIAPHRAGM 1074297 (425-FV)
	1070504 (AV5-RF)	
INT. PARTS KIT (NORM. OPEN) CONSISTS OF STANDARD ITEM NO'S 4,7,10,17,18,19,20	1070504 (AV5-RF)	
SEAT (ITEM NO. 2)	1074321 (425-MO)	

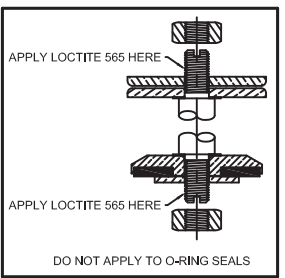
ASSEMBLY TOOLS	
DESCRIPTION	PART NO.
FOR INSTALLATION & REMOVAL OF SEAT (ITEM #2) (TOOL NOT SHOWN)	1074411 (426-MT)
FOR INSTALLATION & REMOVAL OF SHAFT GUIDE (ITEM #10) (TOOL NOT SHOWN)	1074299 (425-GAT)

NO.	DESCRIPTION	STD	PART NO.	QTY.
1	BODY CAST IRON 2" NPT	*	1074277 (425-A)	1
2	SEAT (REQ'S ASSY TOOL) BRASS	*	1074321 (425-MO)	1
3	HEX NUT (5/16"-24)	*	1263853	2
4	DISC PLATE BRASS	*	1074313 (425-KA)	1
5	O-RING FKM	*	1071794 (ORV-035)	1
6	DISC			1
		HYCAR	* 1074310 (425-JH)	
		AFLAS		
	GLASS FILLED TEFLON		1074311 (425-JT)	
7	DISC HOLDER BRASS	*	1074304 (425-HA)	1
8	O-RING VITON	*	1071786 (ORV-011)	2
9	O-RING VITON	*	1071795 (ORV-038)	1
10	SHAFT GUIDE (REQ'S ASSY TOOL) BRASS	*	1074298 (425-GAO)	1
12	CAP CAST IRON	*	1074281 (425-C)	1
13	HEX SCREW 5/16"-18 PLATED STEEL	*	1072400 (SCZ-0013)	6
14	DIAPHRAGM	BUNA N	* 1074296 (425-FB)	1
		FKM	1074297 (425-FV)	
15	HEX NUT 5/16"-18 PLATED STEEL	*	1071657 (NUZ-0011)	6
16	O-RING AFLAS	*	1071664 (ORA-206)	2
17	SHAFT (NORMALLY OPEN)	*	1074315 (425-LAA)	1
18	DISC SPACER BRASS	*	1074382 (426-HA)	1
19	UPPER DIAPHRAGM PLATE	*	1074294 (425-DA)	1
20	LOWER DIAPHRAGM PLATE	*	1074295 (425-DA)	1



**1072482 (WAV-0000-90000) (2" NPT)**  
**NORMALLY OPEN (STANDARD)**

- NOTE:
1. AMERICAN NATIONAL STANDARD TAPER PIPE THREADS (NPT) PER ANSI B2.1-1968
  2. VALVES AVAILABLE WITH B.S.P.T. END CONNECTIONS.



SEE REVERSE SIDE FOR  
CONFIGURATION OPTIONS

FORM NO. 1077637

G	ADDED LOCTITE APPLICATION BOX INFO	1713	MSM	22Jun07	
REV	DESCRIPTION	ECO	DWN	DATE	APVD
<p>20580 Enterprise Avenue Brookfield, WI 53045 888.784.9065 www.Pentairwatertreatment.com</p>					
<p><b>SERIES AV5 DIAPHRAGM VALVE</b> <b>STANDARD MODEL</b></p>					
DRAWN		DATE		DRAWING NO.	
JWB		14MAY01		1084041	

