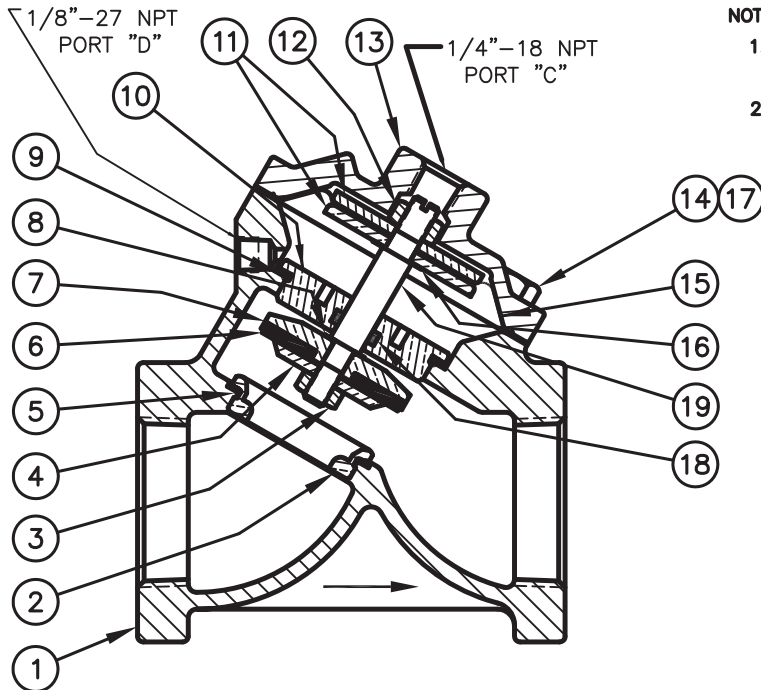


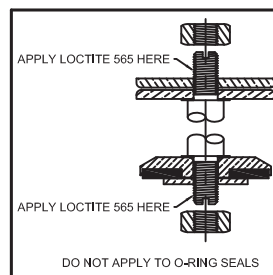
REPAIR PARTS KITS		
DESCRIPTION	PART NO.	
DIAPHRAGM & SEALS KIT CONSISTS OF ITEM NO'S 3,5,6,8,9,12,15,16,18	1070107 (AV4-RA)	1070502 (AV4-RAHT)
	INCLUDES DISC 1074234 (424-JH), DIAPHRAGM	INCLUDES DISC 1074235 (424-JT), DIAPHRAGM
	1074222 (424-FB)	1074224 (424-FV)
INT. PARTS KIT (NORM. OPEN) CONSISTS OF STANDARD ITEM NO'S 4,7,10,11(2),19	1070119 (424-RF)	
SEAT (ITEM NO. 2)	1074245 (424-MO)	

ASSEMBLY TOOLS	
DESCRIPTION	PART NO.
FOR INSTALLATION & REMOVAL OF SEAT (ITEM #2) (TOOL NOT SHOWN)	1074247 (424-MT)
FOR INSTALLATION & REMOVAL OF SHAFT GUIDE (ITEM #10) (TOOL NOT SHOWN)	1074227 (424-GT)

- NOTE:
1. AMERICAN NATIONAL STANDARD TAPER PIPE THREADS (NPT) PER ANSI B2.1-1968
  2. VALVES AVAILABLE WITH B.S.P.T. END CONNECTIONS.



**VAVD-0000-80000 (1-1/4" NPT)**  
**1072475 (VAVE-0000-80000) (1-1/2" NPT)**  
**NORMALLY OPEN (STANDARD)**



NO.	DESCRIPTION		STD	PART NO.	QTY.
1	BODY	CAST IRON	1-1/4" NPT	* 1074196 (424-A5)	1
			1-1/2" NPT	* 1074199 (424-A6)	
2	SEAT (REQ'S ASSY TOOL)	BRASS		* 1074245 (424-MO)	1
3	HEX NUT (1/4-28)			* 1263852	1
4	DISC PLATE	BRASS		* 1074237 (424-K)	1
5	O-RING	FKM		* 1071793 (ORV-028)	1
6	DISC	HYCAR		* 1074234 (424-JH)	1
		AFLAS			
		GLASS FILLED TEFLON		1074235 (424-JT)	
7	DISC HOLDER	BRASS		* 1074229 (424-H)	1
8	GASKET	COPPER		* 1073948 (200-GG)	1
9	O-RING	FKM		* 1071806 (ORV-132)	1
10	SHAFT GUIDE (REQ'S ASSY TOOL)	BRASS		* 1074225 (424-GG0)	1
11	DIAPHRAGM PLATE	BRASS		* 1074220 (424-D)	2
12	HEX NUT (5/16-24)			* 1263853	1
13	CAP	CAST IRON		* 1074202 (424-C)	1
14	HEX SCREW 1/4"-20	PLATED STEEL		* 1072399 (SCZ-0007)	4
15	DIAPHRAGM	BUNA N		* 1074222 (424-FB)	1
		FKM		1074224 (424-FV)	
16	GASKET	COPPER		* 1074252 (424-R)	1
17	HEX NUT 1/4"-20	PLATED STEEL		1071656 (NUZ-0008)	4
18	O-RING	AFLAS		* 1071661 (ORA-110)	1
19	SHAFT (NORMALLY OPEN)			* 1074239 (424-L)	1

SEE REVERSE SIDE FOR  
CONFIGURATION OPTIONS

FORM NO. 1077636

F	ADDED LOCTITE APPLICATION BOX INFO	1713	MSM	20JUN07	
REV	DESCRIPTION	ECO	DWN	DATE	APVD
		20580 Enterprise Avenue Brookfield, WI 53045 888.784.9065 www.Pentairwatertreatment.com			
<b>SERIES AV4 DIAPHRAGM VALVE</b> <b>STANDARD MODEL</b>					
DRAWN	JWB	DATE	14MAY01	DRAWING NO.	1084040

