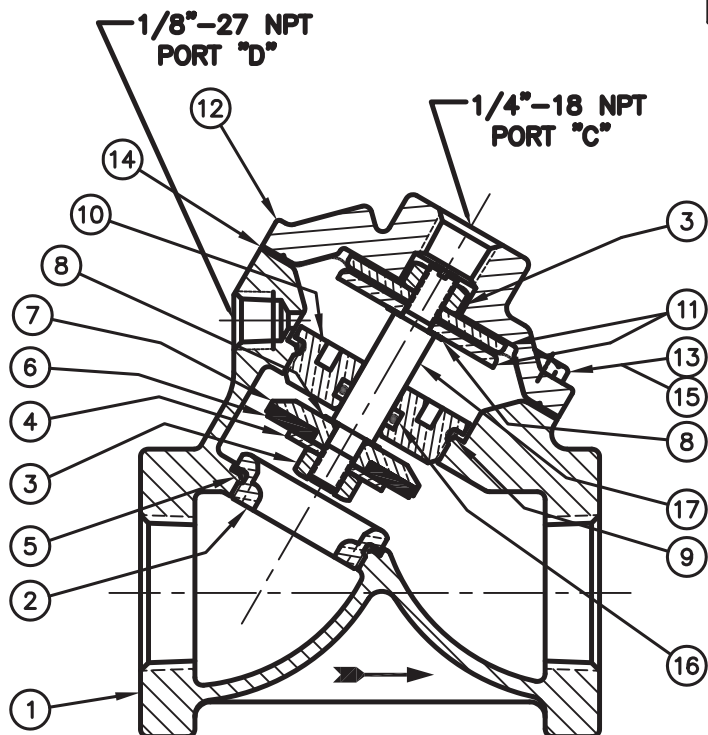


INCHES
MILLIMETERS

REPAIR PARTS KITS		
DESCRIPTION	PART NO.	
DIAPHRAGM & SEALS KIT CONSISTS OF ITEM NO'S 3(2),5,6,8(2),9,14,16	1070106 (AV1-RA) INCLUDES DISC 1074144 (421-JH), DIAPHRAGM 1074119	1070498 (AV1-RAHT) INCLUDES DISC 1074145 (421-JT), DIAPHRAGM 1074120
INT. PARTS KIT (NORM. OPEN) CONSISTS OF STANDARD ITEM NO'S 4,7,10,11(2),17	1070118 (421-RF)	
SEAT (ITEM NO. 2)	1074158 (421-MO)	

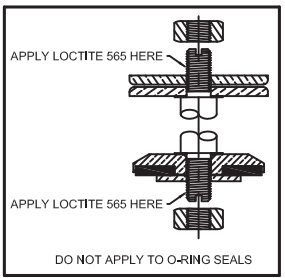
ASSEMBLY TOOLS	
DESCRIPTION	PART NO.
FOR INSTALLATION & REMOVAL OF SEAT (ITEM #2) (TOOL NOT SHOWN)	1074161 (421-MT)
FOR INSTALLATION & REMOVAL OF SHAFT GUIDE (ITEM #10) (TOOL NOT SHOWN)	1074124 (421-GT)

NO.	DESCRIPTION	STD	PART NO.	QTY.
1	BODY CAST IRON 3/4" NPT	*	1074085 (421-A3)	1
	1" NPT	*	1074088 (421-A4)	
2	SEAT (REQ'S ASSY TOOL)	BRASS	* 1074158 (421-MO)	1
3	HEX NUT (1/4-28)		* 1263852	2
4	DISC PLATE	BRASS	* 1074147 (421-K)	1
5	O-RING	FKM	* 1071791 (ORV-024)	1
6	DISC	HYCAR	* 1074144 (421-JH)	1
		AFLAS	1074141 (421-JA)	
		GLASS FILLED TEFLON	1074145 (421-JT)	
7	DISC HOLDER	BRASS	* 1074126 (421-H)	1
8	GASKET	COPPER	* 1073948 (200-GG)	2
9	O-RING	FKM	* 1071803 (ORV-125)	1
10	SHAFT GUIDE (REQ'S ASSY TOOL)	BRASS	* 1074122 (421-GG0)	1
11	DIAPHRAGM PLATE	BRASS	* 1074117 (421-D)	2
12	CAP	CAST IRON	* 1074093 (421-C)	1
13	HEX SCREW 1/4"-20	PLATED STEEL	* 1072398 (SCZ-0004)	4
14	DIAPHRAGM	BUNA N	* 1074119	1
		FKM	1074120	
15	HEX NUT 1/4"-20	PLATED STEEL	* 1071656 (NUZ-0008)	4
16	O-RING	AFLAS	* 1071661 (ORA-110)	1
17	SHAFT (NORMALLY OPEN)		* 1074150 (421-L)	1



1072459 (VAVB-0000-80000) (3/4" NPT)
1072464 (VAVC-0000-80000) (1" NPT)
NORMALLY OPEN (STANDARD)

- NOTE:
1. AMERICAN NATIONAL STANDARD TAPER PIPE THREADS (NPT) PER ANSI B2.1-1968
 2. VALVES AVAILABLE WITH B.S.P.T. END CONNECTIONS.



SEE REVERSE SIDE FOR CONFIGURATION OPTIONS

FORM NO. 1077635

H	ADDED LOCTITE APPLICATION BOX INFO	1713	MSM	20JUN07	
REV	DESCRIPTION	ECO	DWN	DATE	APVD
<p>20580 Enterprise Avenue Brookfield, WI 53045 888.784.9065 www.Pentairwatertreatment.com</p>					
<p>SERIES VAV1 DIAPHRAGM VALVE 3/4" & 1" NPT OR BSPT</p>					
DRAWN		DATE		DRAWING NO.	
JWB		14MAY01		1084039	

