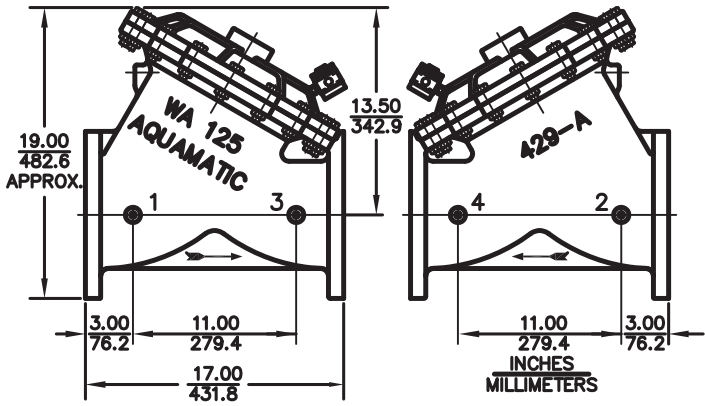


6" DIAPHRAGM VALVE - STANDARD MODEL

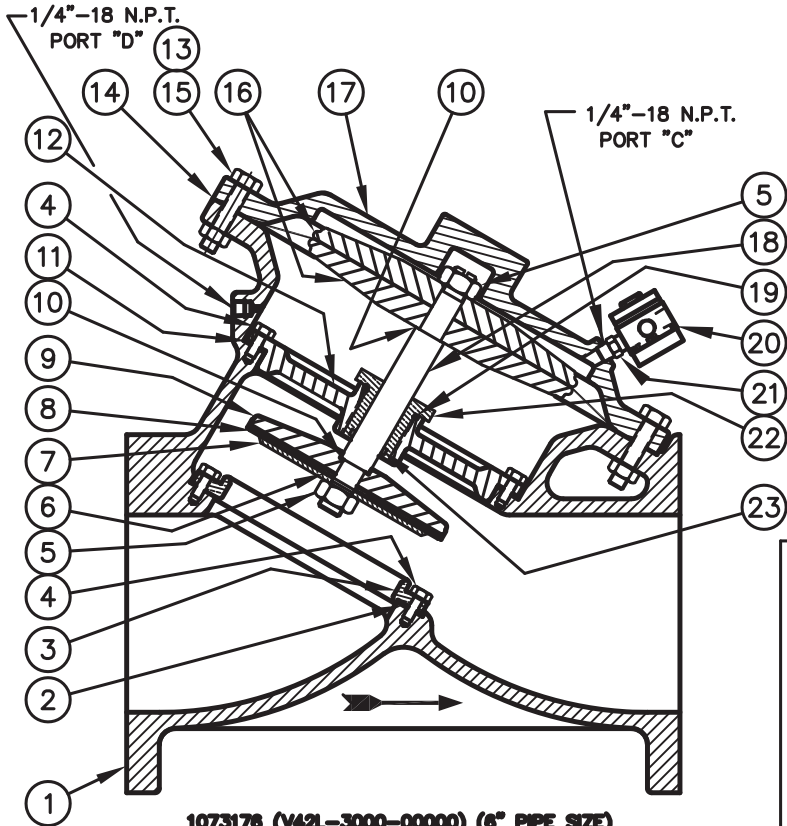


REPAIR PARTS KITS		
DESCRIPTION	PART NO.	
DIAPHRAGM & SEALS KIT CONSISTS OF ITEM NO'S 2,5(2),8,10(2),11,14,19,23	1070074 (429-RA)	1070089 (429-RAV)
	BUNA N INCLUDES DIAPHRAGM 1074622 (429-FB)	FKM INCLUDES DIAPHRAGM 1074623 (429-FV)
	1074653 (429-RF)	
INT. PARTS KIT (NORM. OPEN) CONSISTS OF STANDARD ITEM NO'S 4,(12)6,7,9,12,16(2),18,22	1074640 (429-MO)	
SEAT ITEM NO. 3,4(8)	1074640 (429-MO)	

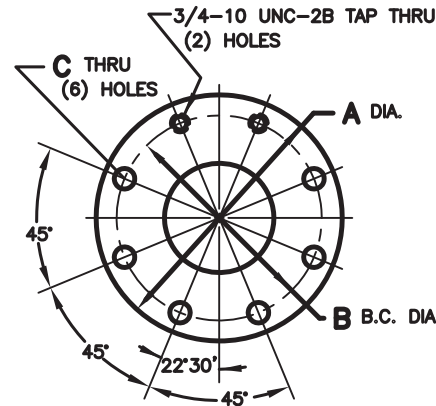
NOTE:
1. AMERICAN NATIONAL STANDARD TAPER PIPE
THREADS (NPT) PER ANSI B2.1-1968

FLANGE STYLE	A	B	C
AMERICAN	11.000	9.500	.875

NO.	DESCRIPTION	STD	PART NO.	QTY.
1	BODY	CAST IRON	* 1074613 (429-A)	1
2	SEAT GASKET	BUNA N	* 1074642 (429-N)	1
		FKM	1074643 (429-NV)	
3	SEAT	BRASS	* 1074640 (429-MO)	1
4	HEX SCREW (5/16-18X3/4)	*	1072355 (SCS-0011)	20
5	HEX NUT (3/4"-16)	*	3001991	2
6	DISC SPACER	BRASS	* 1074628 (429-HA)	1
7	DISC PLATE	BRASS	* 1074634 (429-K)	1
		HYCAR	* 1074632 (429-JH)	
8	DISC	FKM	1074633 (429-JV)	1
		BRASS	* 1074627 (429-H)	
9	DISC HOLDER	BRASS	* 1074627 (429-H)	1
10	GASKET	COPPER	* 1073952 (201-M)	2
11	CENTERING PLATE GASKET	BUNA N	* 1074644 (429-O)	1
		FKM	1074645 (429-OV)	
12	CENTERING PLATE	CAST IRON	* 1074625 (429-GO)	1
13	HEX NUT	PLATED STEEL	* 1071829 (NUZ-0021)	16
14	DIAPHRAGM	BUNA N	* 1074622 (429-FB)	1
		FKM	1074623 (429-FV)	
15	HEX SCREW	PLATED STEEL	* 1072410 (SCZ-0038)	16
16	DIAPHRAGM PLATE	BRASS	* 1074620 (429-D)	2
17	CAP	CAST IRON	* 1074615 (429-C)	1
18	SHAFT (NORMALLY OPEN)	*	1074636 (429-L)	1
19	O-RING	BUNA N	* 1071703 (ORB-223)	1
		FKM	1071820 (ORV-223)	
20	AUXILIARY PILOT VALVE (SEE REVERSE SIDE)	*	1074661 (429-VP)	1
21	HEX NIPPLE	*	1081648 (510-CM)	1
22	SHAFT GUIDE	BRASS	* 1074646 (429-P)	1
23	O-RING	BUNA N	* 1242721 (ORB-214TC)	1
		FKM	1242396 (ORV-214TC)	



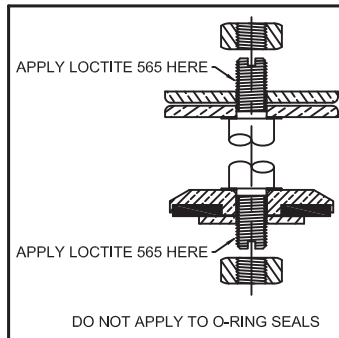
**1073176 (V42L-3000-00000) (6" PIPE SIZE)
NORMALLY OPEN (STANDARD)**



AMERICAN FLANGE PER A.S.A. 16.1 CLASS 125

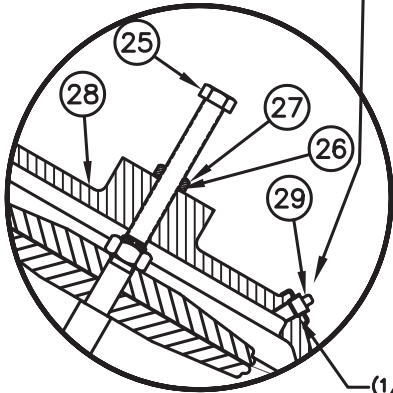
SEE REVERSE SIDE FOR
CONFIGURATION OPTIONS

FORM NO. 1077619



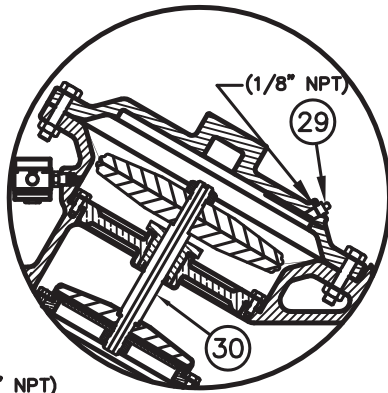
K	ADDED LOCTITE APPLICATION BOX INFO	1713	MSM	30May07	
REV	DESCRIPTION	ECO	DWN	DATE	APVD
<p>20580 Enterprise Avenue Brookfield, WI 53045 888.784.9065 www.Pentairwatertreatment.com</p>					
<p>SERIES 429 DIAPHRAGM VALVE STANDARD MODEL</p>					
DRAWN		DATE		DRAWING NO.	
JWB		08MAY01		1084024	

(USED WITH NORMALLY CLOSED VALVES ONLY)



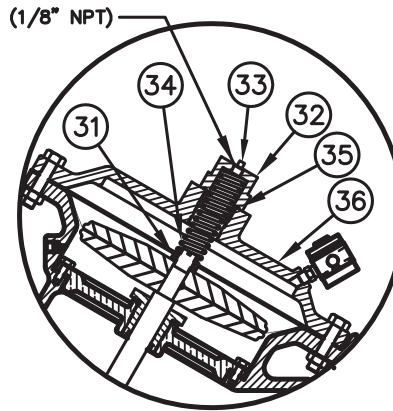
1073184 (V42L-3010-00000)

LIMIT STOP



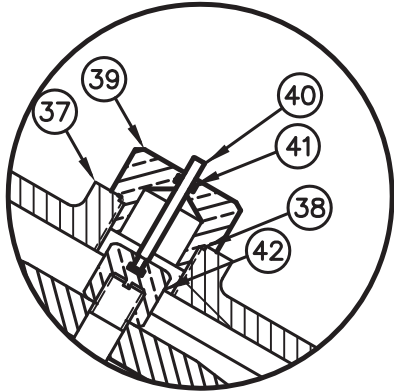
1073187 (V42L-3030-00000)

NORMALLY CLOSED



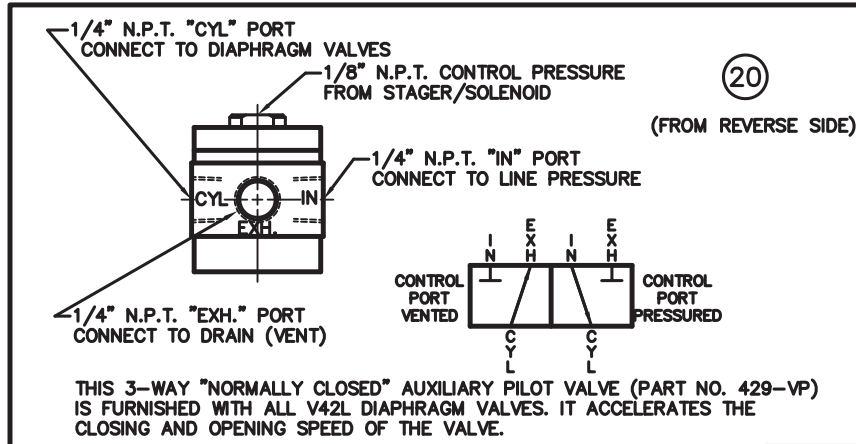
V42L-3002-00000

SPRING ASSIST CLOSED



V42L-3020-00000

POSITION INDICATOR



NO.	DESCRIPTION	STD	PART NO.	QTY.
LIMIT STOP MODEL				
25	SCREW	*	1074660 (429-U)	1
26	O-RING	*	1071690 (ORB-112)	1
27	NUT	*	1074434 (426-U)	1
28	CAP	CAST IRON	* 1074617 (429-CCC)	1
NORMALLY CLOSED MODEL				
29	PIPE PLUG (1/4" N.P.T.)	PLATED STEEL	* 1071918 (PLZ-0008)	1
		BRASS	* 1071904 (PLB-0009)	
		STN. STL.	* 1071915 (PLS-0001)	
30	SHAFT (NORMALLY CLOSED)	*	1074637 (429-LL)	1
SPRING ASSIST CLOSED MODEL				
31	CENTERING NUT	STN. ST.	* 1074663 (429-X)	1
32	RETAINER NUT	BRASS	* 1074659 (429-TT)	1
33	PIPE PLUG (1/8" N.P.T.)	PLATED STEEL	* 1071917 (PLZ-0005)	1
		BRASS	* 1071903 (PLB-0007)	
		STN. STL.	* 1071916 (PLS-0002)	
34	SPRING	*	1074657 (429-SS)	1
35	O-RING	*	1079839 (ORB-222)	1
36	CAP	CAST IRON	* 1074616 (429-CC)	1
POSITION INDICATOR MODEL				
37	CAP	CAST IRON	* 1074618 (429-CF)	1
38	O-RING	*	1071694 (ORB-128)	1
39	SHAFT GUIDE BUSHING	*	1074624 (429-GF)	1
40	INDICATOR SHAFT	*	1074649 (429-PM)	1
41	O-RING	*	1071688 (ORB-1081C)	1
42	TOP NUT	*	1074658 (429-TB)	1

NOTE:

1. SPRING ASSIST CLOSED MODEL CANNOT BE COMBINED WITH LIMIT STOP OR POSITION INDICATOR MODELS.
2. SPRING ASSIST OPEN MODEL NOT AVAILABLE.

SEE REVERSE SIDE FOR STANDARD NORMALLY OPEN MODEL

FORM NO. 1077619

CONVERSION KITS	
DESCRIPTION	PART NO.
CONVERSION KIT (LIMIT STOP) CONSISTS OF STANDARD ITEM NO'S 25,26,27,28	1074639 (429-LSC)
CONVERSION KIT (SPRING ASSIST CLOSED) CONSISTS OF STANDARD ITEM NO'S 31 THRU 36	1074656 (429-SCC)
CONVERSION KIT (POSITION INDICATOR) CONSISTS OF STANDARD ITEM NO'S 37 THRU 42	1074648 (429-PIC)

REPAIR PARTS KITS	
DESCRIPTION	PART NO.
INT. PARTS KIT (LIMIT STOP) CONSISTS OF STANDARD ITEM NO'S 25,26,27	1074638 (429-LS)
INT. PARTS KIT (NORM. CLOSED) CONSISTS OF STANDARD ITEM NO'S 4,(12),6,7,9,12,16(2),22,30	1074654 (429-RG)
INT. PARTS KIT (SPRING ASSIST CLOSED) CONSISTS OF STANDARD ITEM NO'S 31,34,35	1074655 (429-SC)
INT. PARTS KIT (POSITION INDICATOR) CONSISTS OF STD ITEM NO'S 37 THRU 42	1074647 (429-PI)

K	SEE REVERSE SIDE	1713	MSM	30MAY07
REV	DESCRIPTION	ECO	DWN	DATE
		20580 Enterprise Avenue Brookfield, WI 53045 888.784.9065 www.Pentairwatertreatment.com		
SERIES 429 DIAPHRAGM VALVE STANDARD MODEL				
DRAWN	JWB	DATE	08MAY01	DRAWING NO. 1084024