

Magnum Drain Line Flow Control

Drain Line Flow Control

Figure A

The rubber flow washers (3) and plugs must be assembled to the retainer (2) as shown. Install the retainer O-ring (1) into the O-ring groove on the opposite side of the retainer.

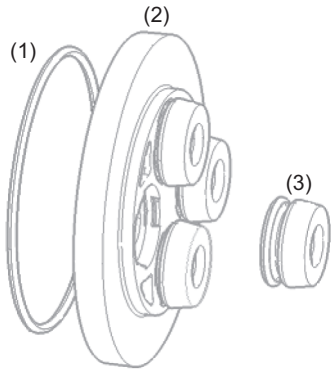


Figure A

Installation Procedure

Figure B

The drain line flow control (1) must be installed to the valve as shown with the flow washers facing the valve. The O-ring seats against the plumbing adapter (2).

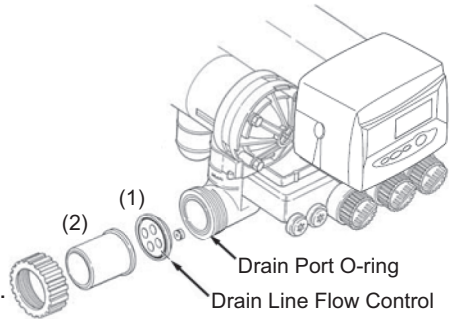


Figure B

Note: Hand tighten all plumbing connections initially. Tighten no more than 1/4 turn past hand tight if required.

Magnum Drain Line Flow Control

Drain Line Flow Control

Figure A

The rubber flow washers (3) and plugs must be assembled to the retainer (2) as shown. Install the retainer O-ring (1) into the O-ring groove on the opposite side of the retainer.

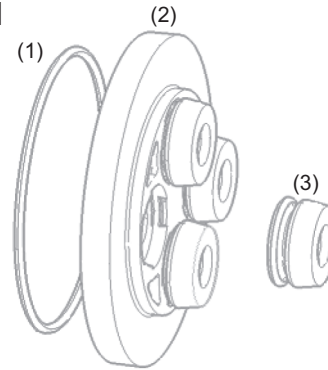


Figure A

Installation Procedure

Figure B

The drain line flow control (1) must be installed to the valve as shown with the flow washers facing the valve. The O-ring seats against the plumbing adapter (2).

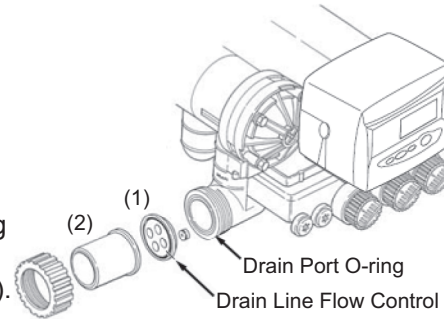


Figure B

Note: Hand tighten all plumbing connections initially. Tighten no more than 1/4 turn past hand tight if required.