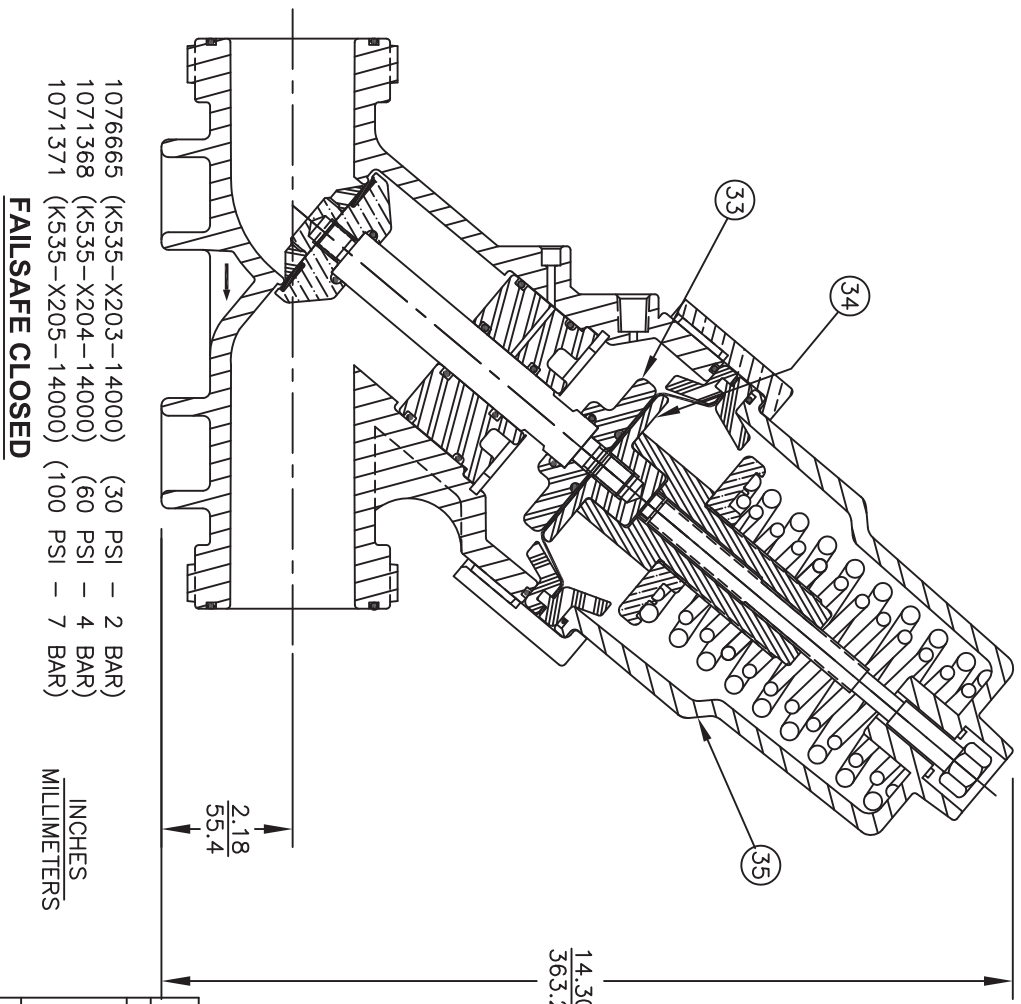


PRINTED IN U.S.A.



- 1076665 (K535-X203-14000) (30 PSI - 2 BAR)
- 1071368 (K535-X204-14000) (60 PSI - 4 BAR)
- 1071371 (K535-X205-14000) (100 PSI - 7 BAR)

FAILSAFE CLOSED

INCHES
MILLIMETERS

NO.	DESCRIPTION	PART NO.	QTY.
33	LOWER DIAPHRAGM PLATE	1073412 (V535-448)	1
34	UPPER DIAPHRAGM PLATE	1073411 (V535-444)	1
44	CAP ASSEMBLY - 30#	1071341 (K535-FS3)	1
	CAP ASSEMBLY - 60#	1071342 (K535-FS6)	
	CAP ASSEMBLY - 100#	1071340 (K535-FS1)	1

NOTE:
DUE TO SPRING ASSEMBLY REQUIREMENTS,
CAP ASSEMBLY SOLD AS ASSEMBLY ONLY.

SEE DWG. NO. 1084010 FOR STANDARD MODEL
FORM NO. 1078168

REV	DESCRIPTION	ECO	DWN	DATE	APVD
C	SEE REVERSE SIDE	NONE	MSM	15Aug06	SMN

20580 Enterprise Avenue
Brookfield, WI 53045
888.794.9065
www.Pentairwatertreatment.com

**SERIES 535 DIAPHRAGM VALVE
FAILSAFE SPRING CLOSED MODEL**

DRAWN	DATE	DRAWING NO.
JWB	26Jun01	1084011

