

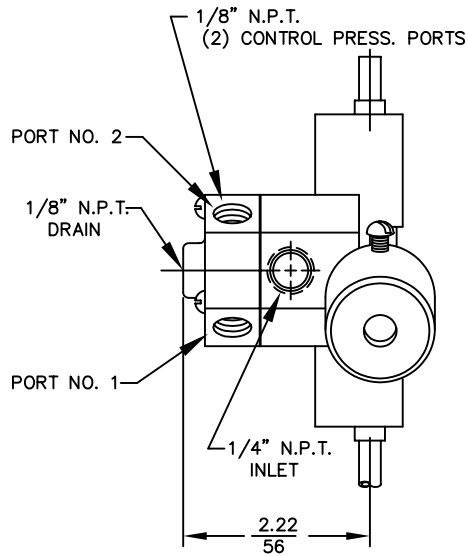
FLOAT OPERATED LEVEL CONTROL

REPAIR PARTS KITS	
DESCRIPTION	PART NO.
PILOT CONTROL REPAIR PARTS INCLUDES ITEM NO. 3 THRU 7	1074019 (348-IAB)

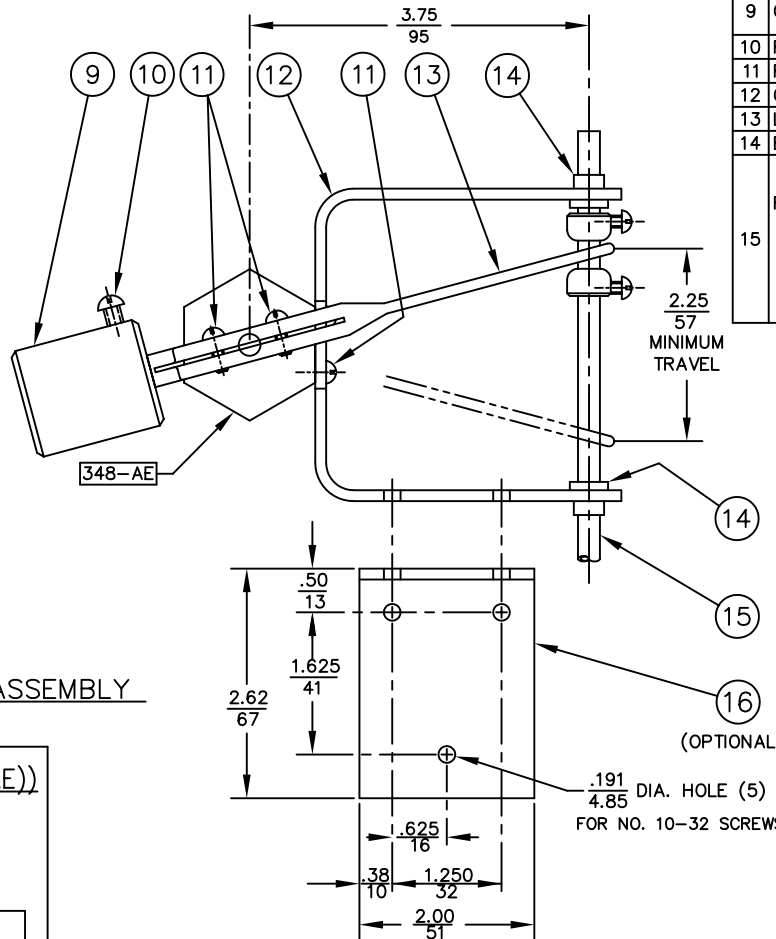
LEVEL CONTROL ASSEMBLY	FLOAT ROD ASSEMBLY
1074042 (348LC)	1074020 (348-K) (BRASS - 36")
1074044 (348LCK)	1074026 (348-KK) (BRASS - 54")
1074045 (348LCP)	1074029 (348-KP) (P.V.C. - 36")
1074046 (348LCS)	1074030 (348-KS) (STN. ST. - 36")
1074043 (348LCB)	1074028 (348-KL) (BR WELL - 36")
1074047 (348LCX)	NO FLOAT OR ROD INCL.

NO.	DESCRIPTION	PART NO.	QTY.
PILOT CONTROL ASSEMBLY (348-AE)			
1	RD. HD. MACH. SCREW (6-32 X 7/8)	1075759 (SCS-0075)	3
2	BACKPLATE	1073991 (348-A)	1
3	BACKPLATE GASKET	1074842 (48006)	1
4	STEMPLATE ASSEMBLY	1074011 (348-CBA)	1
5	SPRING	1074822 (48-M)	1
6	RETAINER WASHER	1074074 (41-F)	1
7	O-RING	1071667 (ORB-010)	1
8	BONNET ASSEMBLY	1074008 (348-BJ)	1

	PORT 1	PORT 2
FLOAT UP	PRESSURED	VENTED
FLOAT DOWN	VENTED	PRESSURED



LEVEL CONTROL ASSEMBLY

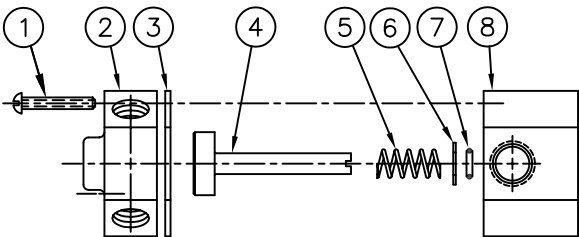


LEVEL CONTROL ASSEMBLY				
9	COUNTERWEIGHT	SEE DWG NO. 1078195	1	
10	RD. HD. MACH. SCREW (8-32 X 1/2)	1072375 (SCS-0083)	1	
11	RD. HD. MACH. SCREW (6-32 X 3/8)	1072371 (SCS-0070)	4	
12	GUIDE BRACKET	1074012 (348-D)	1	
13	LEVER	1074034 (348-S)	1	
14	BUSHING	1074016 (348-G)	2	
15	FLOAT ROD ASS'Y. (SEE DWG NO. 1078195 FOR PARTS LIST)	BRASS (36")	1074020 (348-K)	1
		BRASS (54")	1074026 (348-KK)	
		P.V.C. (36")	1074029 (348-KP)	
		STN. STL. (36")	1074030 (348-KS)	
		STN. STL. (54")	1074027 (348-KKS)	
	BRASS(36"-BR WELL)	1074028 (348-KL)		
	BRASS(54"-BR WELL)	348-KKL		

FOR FLOAT ROD ASSEMBLY OPTIONS, SEE DRAWING NO. 1078195

FORM NO. 1078193

PILOT CONTROL ASSEMBLY (1073992 (348-AE))



B	NUMBER	CONVERSION	1588	MSM	20DEC02
REV	DESCRIPTION	ECO	DWN	DATE	APVD



20580 Enterprise Avenue
Brookfield, WI 53045
888.784.9065
www.Pentairwatertreatment.com

SERIES 348 LEVEL CONTROL
FLOAT OPERATED VALVES

SCALE	DRAWN	DATE	DWG. NO.
N/A	JWB	17JUL01	1078194

PRINTED IN U.S.A.

