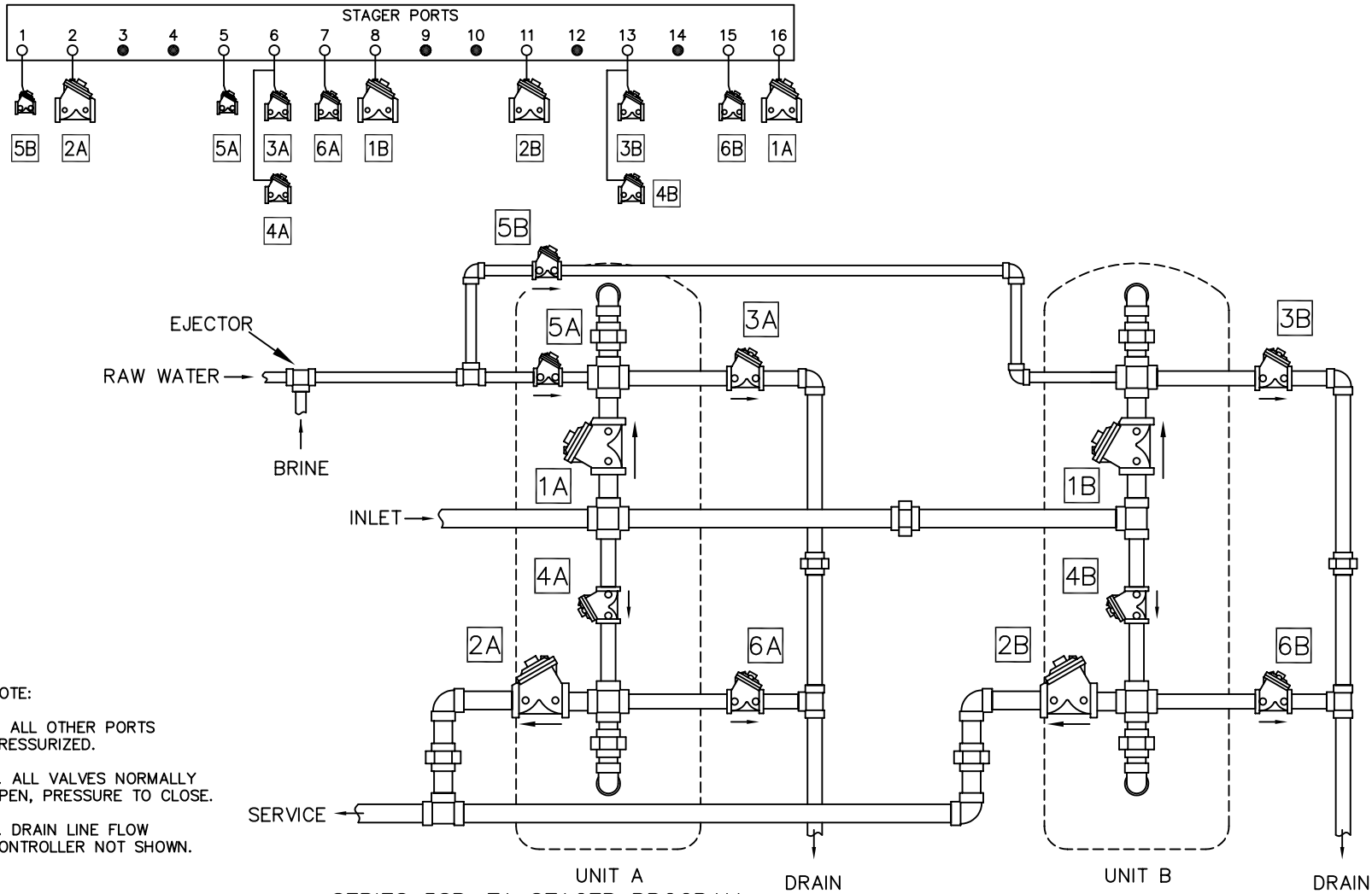


TWO TANK ALTERNATING SOFTENER (58-TA STAGER)



- NOTE:
1. ALL OTHER PORTS PRESSURIZED.
 2. ALL VALVES NORMALLY OPEN, PRESSURE TO CLOSE.
 3. DRAIN LINE FLOW CONTROLLER NOT SHOWN.

PRINTED IN U.S.A.

SERIES 58B-TA STAGER PROGRAM

NOTCH	POS.	FUNCTION		PORTS VENTED (NOTE 1)	VALVES OPEN	NOTCH	POS.	FUNCTION		PORTS VENTED (NOTE 1)	VALVES OPEN
		UNIT A	UNIT B					UNIT A	UNIT B		
A	0	SERVICE	STANDBY	1,2,8,16	5B,2A,1B,1A	J	4	STANDBY	SERVICE	8,11,16	1B,2B,1A
B						K					
C						L					
D	1	BACKWASH	SERVICE	6,8,11	3A,4A,2B,1B	M					
E	2	BRINE/SLOW RINSE	SERVICE	5,7,8,11	5A,6A,2B,1B	N					
F						P	5	SERVICE	BACKWASH	2,13,16	2A,3B,4B,1A
G						Q	6	SERVICE	BRINE/SLOW RINSE	1,2,15,16	5B,2A,6B,1A
H	3	FAST RINSE	SERVICE	7,8,11,16	6A,1B,2B,1A	R	7	SERVICE	FAST RINSE	2,8,15,16	2A,1B,6B,1A

B	CORRECTED ERROR IN STAGER POS. NOS.	NONE	MSM	21MAR03
REV	DESCRIPTION	ECO	DWN	DATE
				APVD

20580 Enterprise Avenue
Brookfield, WI 53045
888.784.9065
www.Pentairwatertreatment.com

TWO UNIT ALTERNATING SOFTENER

SCALE	DRAWN	DATE	DWG. NO.
N/A	JWB	31JUL01	1078293