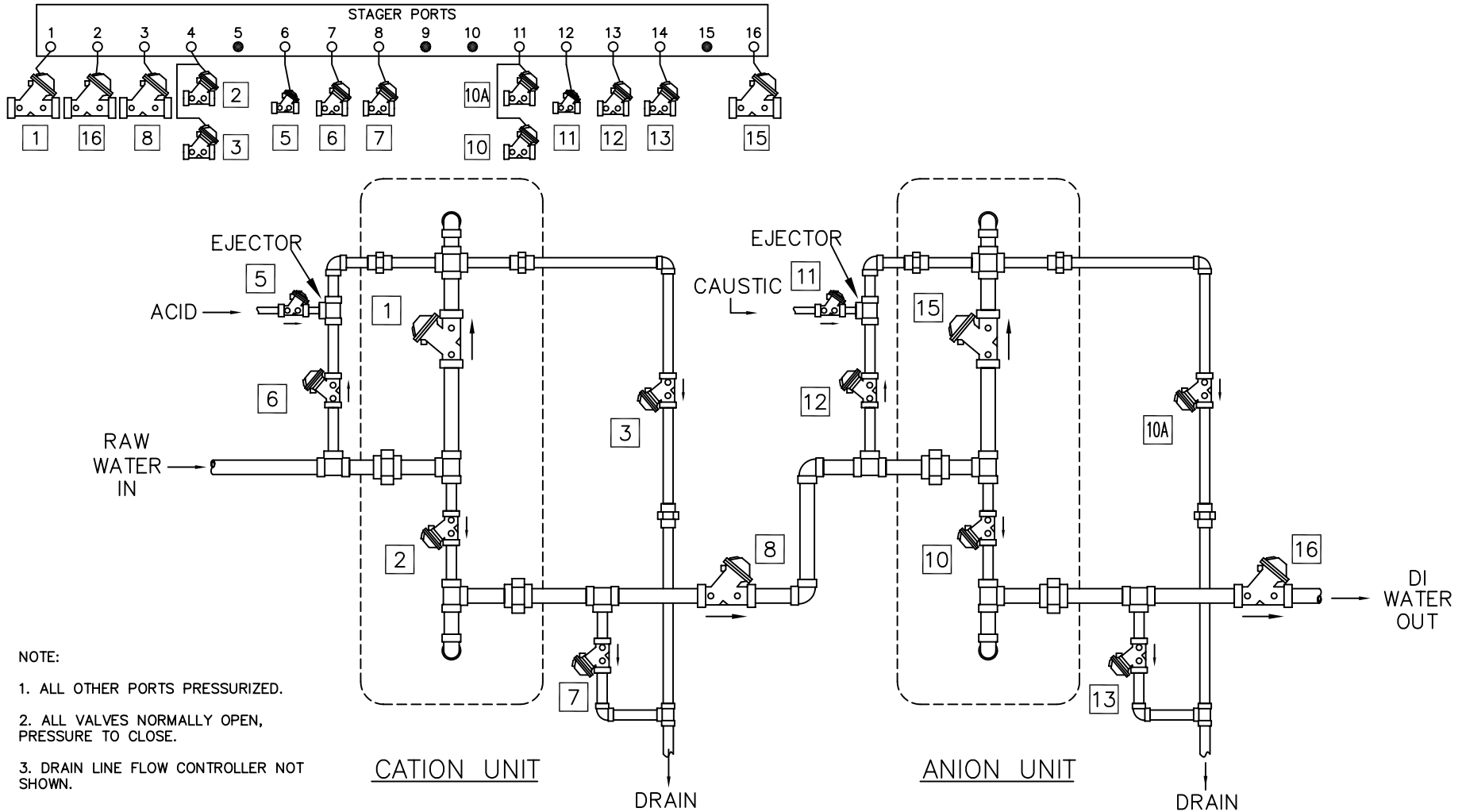


# TWO BED DE-IONIZER W/ DE-GASIFIER (58-02 STAGER)



- NOTE:
1. ALL OTHER PORTS PRESSURIZED.
  2. ALL VALVES NORMALLY OPEN, PRESSURE TO CLOSE.
  3. DRAIN LINE FLOW CONTROLLER NOT SHOWN.

PRINTED IN U.S.A.

### SERIES 58-02 STAGER PROGRAM

| NOTCH | POS. | FUNCTION        | PORTS VENTED (NOTE 1) | VALVES OPEN | NOTCH | POS. | FUNCTION       | PORTS VENTED (NOTE 1) | VALVES OPEN  |
|-------|------|-----------------|-----------------------|-------------|-------|------|----------------|-----------------------|--------------|
| A     | 0    | SERVICE         | 1,2,3,16              | 1,8,15,16   | J     | 4    | FAST RINSE     | 1,8                   | 1,7          |
| B     |      |                 |                       |             | K     | 5    | ANION BACKWASH | 1,3,11                | 1,8,10,10A   |
| C     |      |                 |                       |             | L     |      |                |                       |              |
| D     | 1    | CATION BACKWASH | 4                     | 2,3         | M     |      |                |                       |              |
| E     |      |                 |                       |             | N     | 6    | CAUSTIC INJECT | 1,3,12,13,14          | 1,8,11,12,13 |
| F     |      |                 |                       |             | P     | 7    | SLOW RINSE     | 1,3,13,14             | 1,8,12,13    |
| G     | 2    | ACID INJECT     | 6,7,8                 | 5,6,7       | Q     | 8    | FAST RINSE     | 1,3,14,16             | 1,8,13,15    |
| H     | 3    | SLOW RINSE      | 7,8                   | 6,7         | R     |      |                |                       |              |

| REV | DESCRIPTION     | ECO  | MSM | DWN | DATE    | APVD |
|-----|-----------------|------|-----|-----|---------|------|
| A   | INITIAL RELEASE | NONE | MSM |     | 31JUL01 |      |
|     |                 | ECO  | DWN |     |         | APVD |

20580 Enterprise Avenue  
Brookfield, WI 53045  
888.784.9065  
www.Pentairwatertreatment.com

TWO BED DE-IONIZER W/ DE-GASIFIER

|       |       |         |          |
|-------|-------|---------|----------|
| SCALE | DRAWN | DATE    | DWG. NO. |
| N/A   | JWB   | 31JUL01 | 1078291  |