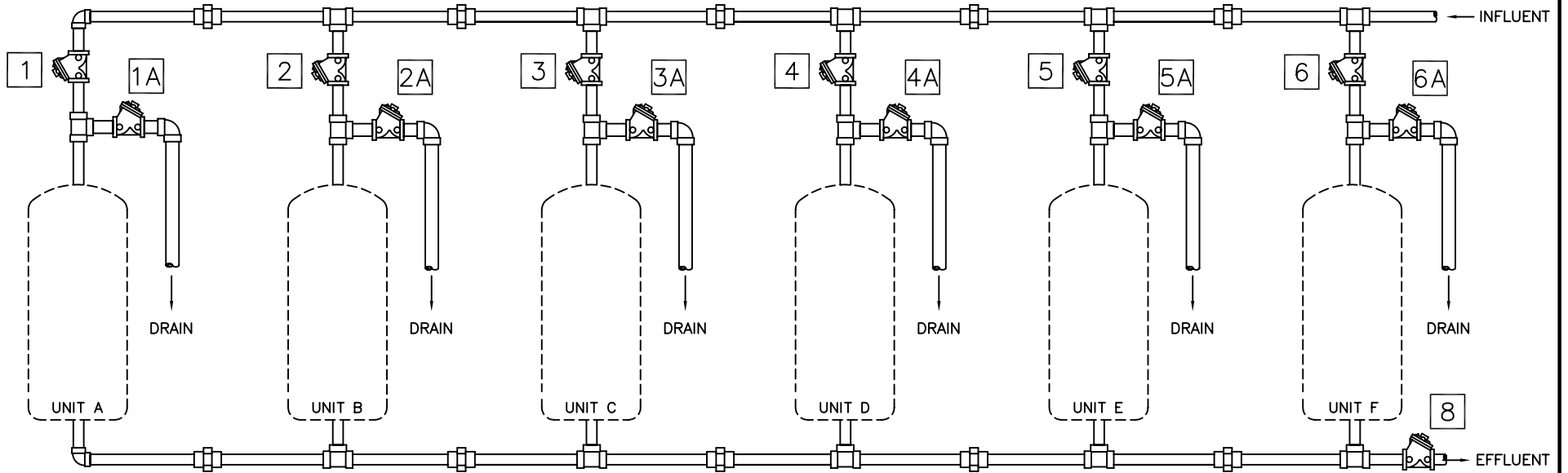


# 6 TANK SEQUENTIAL FILTER (51-86 STAGER)

## 6 TANK SEQUENTIAL FILTER BACKWASH ONLY

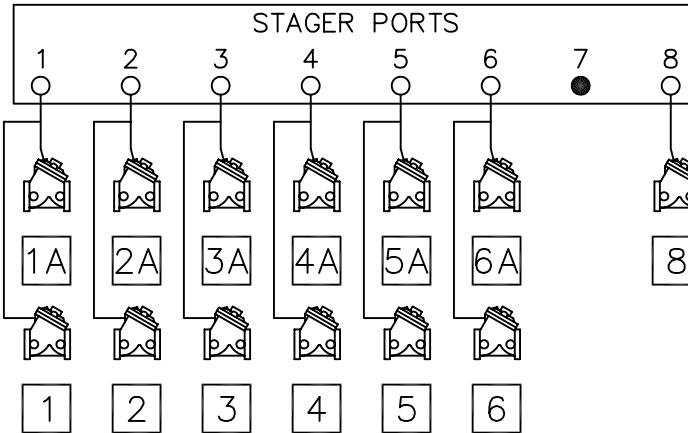


**NOTE:**

1. ALL OTHER PORTS PRESSURIZED.
2. VALVES 1A,2A,3A,4A,5A,6A,8 ARE NORMALLY OPEN PRESSURE TO CLOSE.
3. VALVES 1,2,3,4,5,6 ARE NORMALLY CLOSED, PRESSURE TO OPEN.

NOTCH	POS.	FUNCTION	PORTS VENTED (NOTE 1)	VALVES OPEN
A	8	SERVICE	8	1,2,3,4,5,6,8
B	1	BACKWASH UNIT A	1	1A,2,3,4,5,6
C	2	BACKWASH UNIT B	2	1,2A,3,4,5,6
D	3	BACKWASH UNIT C	3	1,2,3A,4,5,6
E	4	BACKWASH UNIT D	4	1,2,3,4A,5,6
F	5	BACKWASH UNIT E	5	1,2,3,4,5A,6
G	6	BACKWASH UNIT F	6	1,2,3,4,5,6A
H				

SERIES 51-86 STAGER



PRINTED IN U.S.A.

A	INITIAL RELEASE	NONE	JWB	31JUL01
REV	DESCRIPTION	ECO	DWN	DATE APVD
<b>Pentair Water</b>		20580 Enterprise Avenue Brookfield, WI 53045 888.784.9065 www.Pentairwatertreatment.com		
<b>6 TANK SEQUENTIAL FILTER BACKWASH ONLY</b>				
SCALE N/A	DRAWN JWB	DATE 31JUL01	DWG. NO. 1078286	