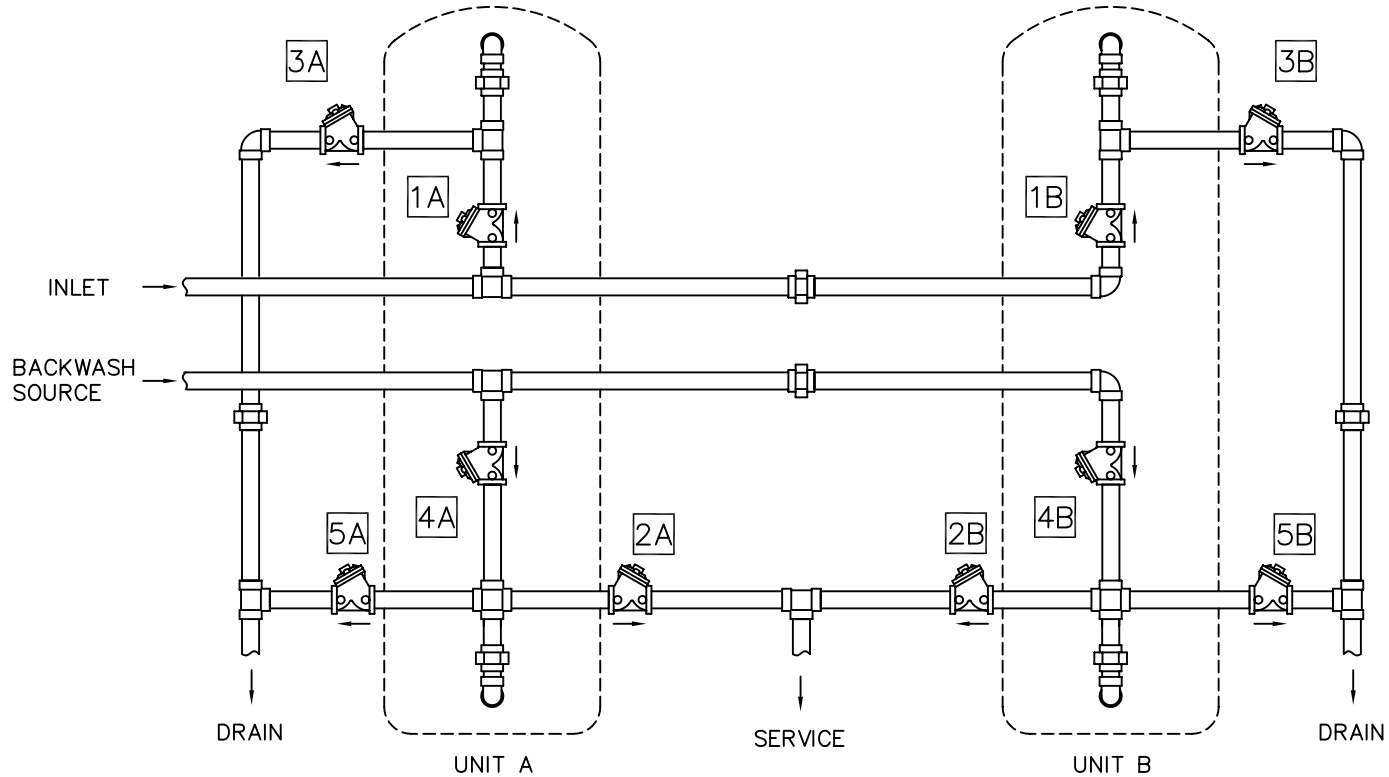


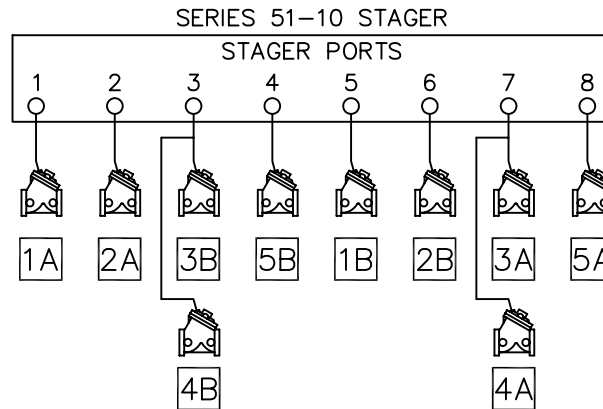
**2 TANK SEQUENTIAL FILTER
SEPERATE BACKWASH SOURCE**



NOTE:

1. ALL OTHER PORTS PRESSURIZED.
2. ALL VALVES NORMALLY OPEN, PRESSURE TO CLOSE.
3. DRAIN LINE FLOW CONTROLLER NOT SHOWN.

NOTCH	POS.	FUNCTION	PORTS VENTED (NOTE 1)	VALVES OPEN
A	0	SERVICE	1,2,5,6	1A,2A,1B,2B
B				
C	1	BACKWASH UNIT A	5,6,7	1B,2B,3A,4A
D	2	RINSE UNIT A	1,5,6,8	1A,1B,2B,5A
E				
F				
G	3	BACKWASH UNIT B	1,2,3	1A,2A,3B,4B
H	4	RINSE UNIT B	1,2,4,5	1A,2A,5B,1B



PRINTED IN U.S.A.

B	ON PIPING DRAWING, VALVE 1A WAS SHOWN AS VALVE 5A	NONE	MSM	04JUN03	
A	INITIAL RELEASE	NONE	JWB	31JUL01	
REV	DESCRIPTION	ECO	DWN	DATE	APVD
 20580 Enterprise Avenue Brookfield, WI 53045 888.784.9065 www.Pentairwatertreatment.com					
2 TANK SEQUENTIAL FILTER W/ SEPERATE BACKWASH SOURCE					
SCALE	DRAWN	DATE	DWG. NO.		
N/A	JWB	31JUL01	1078284		