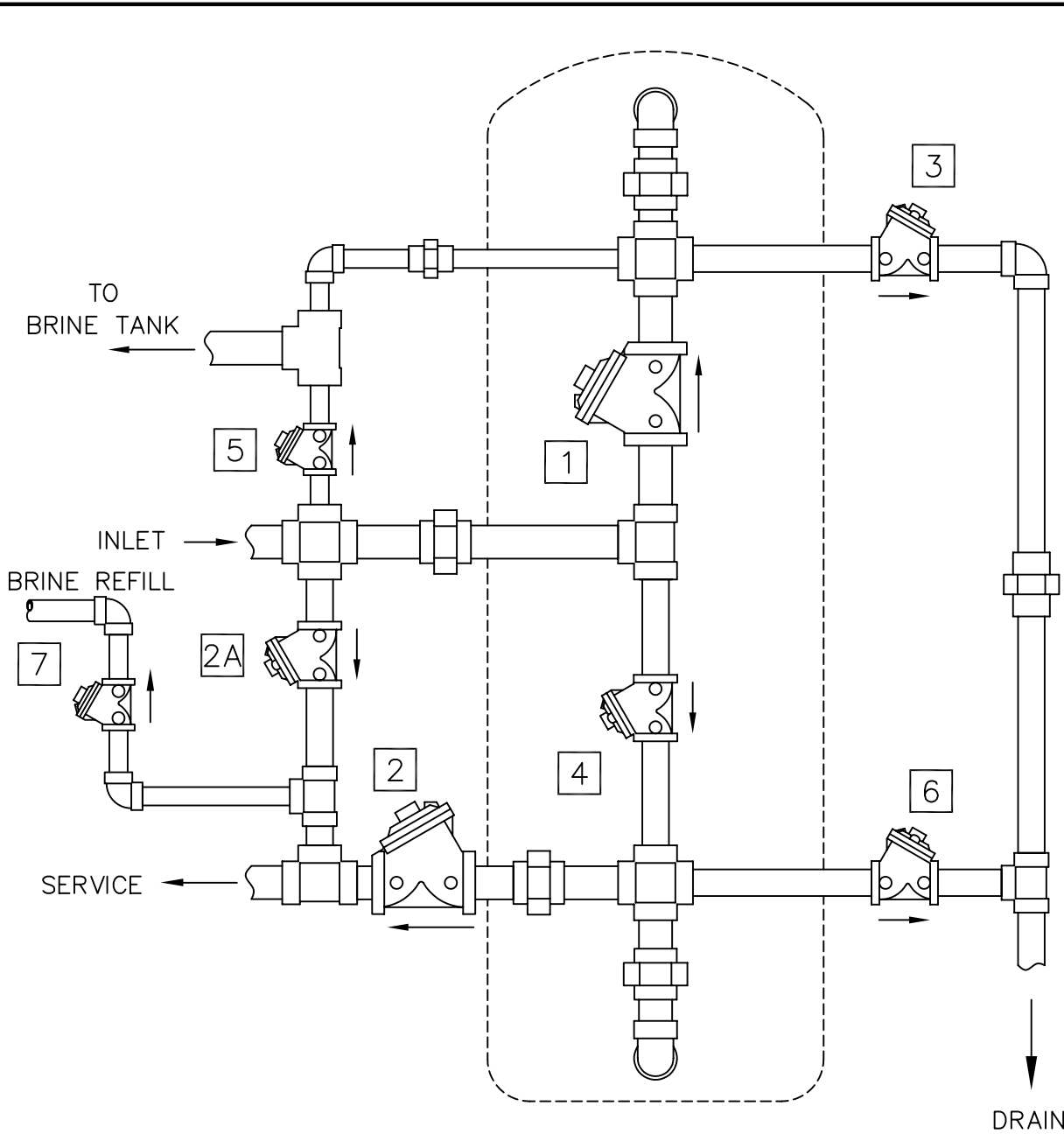
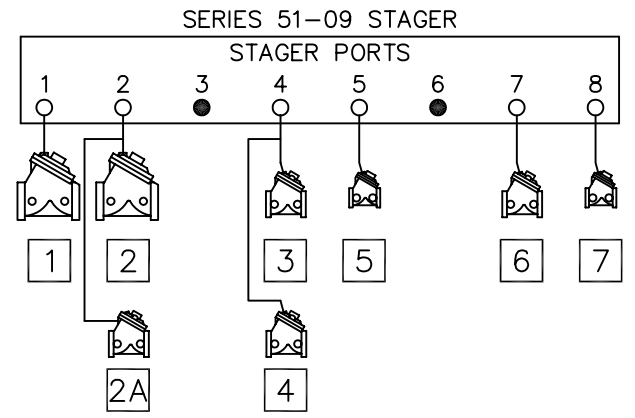


5 POS. SOFTENER W/ TIMED BRINE REFILL (51-09 STAGER)



**5 POSITION SOFTENER W/ TIMED BRINE REFILL**

| NOTCH | POS. | FUNCTION         | PORTS VENTED (NOTE 1) | VALVES OPEN |
|-------|------|------------------|-----------------------|-------------|
| A     | 0    | SERVICE          | 1,2                   | 1,2         |
| B     |      |                  |                       |             |
| C     |      |                  |                       |             |
| D     | 1    | BACKWASH         | 4                     | 3,4,2A      |
| E     | 2    | BRINE/SLOW RINSE | 5,7                   | 5,6,2A      |
| F     |      |                  |                       |             |
| G     | 3    | FAST RINSE       | 1,7                   | 1,6,2A      |
| H     | 4    | BRINE REFILL     | 1,2,8                 | 1,2,7       |



- NOTE:
1. ALL OTHER PORTS PRESSURIZED.
  2. ALL VALVES (EXCEPT NO. 2A) NORMALLY OPEN, PRESSURE TO CLOSE. VALVE 2A NORMALLY CLOSED.
  3. VALVE 2A REQUIRED FOR RAW WATER BYPASS DURING REGENERATION.
  4. BRINE VALVE AND DRAIN LINE FLOW CONTROLLER NOT SHOWN.

|       |                  |  |          |         |      |
|-------|------------------|--|----------|---------|------|
| B     | CORRECTED STAGER | NONE   | MSM      | 17JAN03 |      |
| REV   | DESCRIPTION      | ECO  | DWN      | DATE    | APVD |
|       |                  | 20580 Enterprise Avenue<br>Brookfield, WI 53045<br>888.784.9065<br>www.Pentairwatertreatment.com |          |         |      |
|       |                  | <b>5 POSITION SOFTENER<br/>W/ TIMED BRINE REFILL</b>   |          |         |      |
| SCALE | DRAWN            | DATE   | DWG. NO. |         |      |
| N/A   | JWB              | 06JAN03  | 1078281  |         |      |