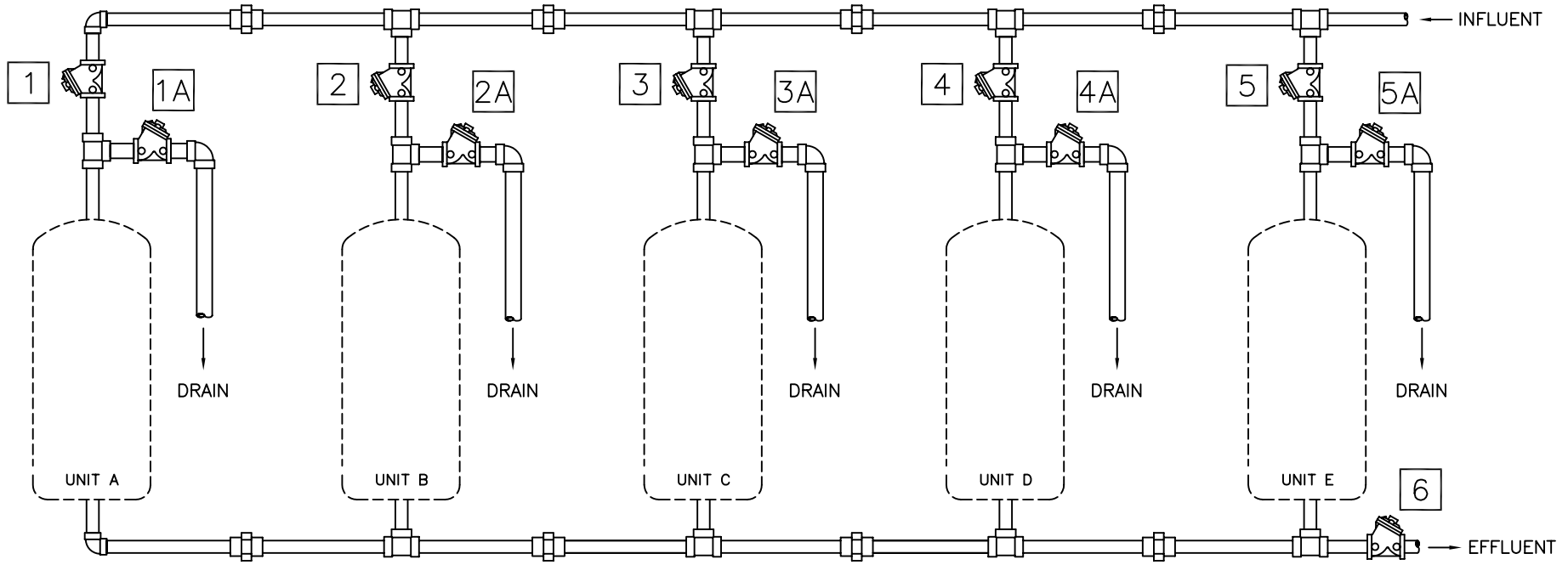


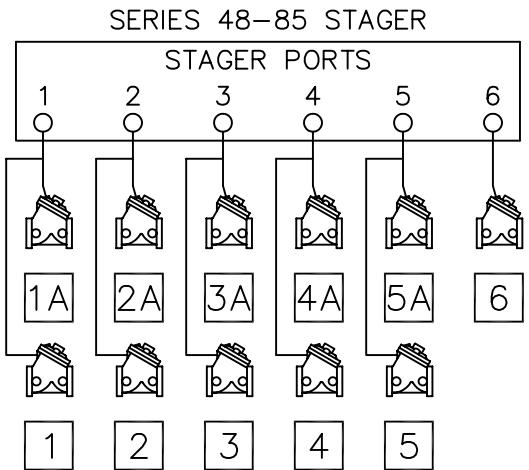
# 5 TANK SEQUENTIAL FILTER (48-85 STAGER)

## 5 TANK SEQUENTIAL FILTER BACKWASH ONLY



- NOTE:**
1. ALL OTHER PORTS PRESSURIZED.
  2. VALVES 1A,2A,3A,4A,5A,6 ARE NORMALLY OPEN PRESSURE TO CLOSE.
  3. VALVES 1,2,3,4,5 ARE NORMALLY CLOSED, PRESSURE TO OPEN.

NOTCH	POS.	FUNCTION	PORTS VENTED (NOTE 1)	VALVES OPEN
A	2	BACKWASH UNIT B	2	1,2A,3,4,5
B	3	BACKWASH UNIT C	3	1,2,3A,4,5
C	4	BACKWASH UNIT D	4	1,2,3,4A,5
D	5	BACKWASH UNIT E	5	1,2,3,4,5A
E	6	SERVICE	6	1,2,3,4,5,6
F	1	BACKWASH UNIT A	1	1A,2,3,4,5



PRINTED IN U.S.A.

A	INITIAL RELEASE	NONE	JWB	31JUL01
REV	DESCRIPTION	ECO	DWN	DATE APVD
		20580 Enterprise Avenue Brookfield, WI 53045 888.784.9065 www.Pentairwatertreatment.com		
<b>5 TANK SEQUENTIAL FILTER BACKWASH ONLY</b>				
SCALE	DRAWN	DATE	DWG. NO.	
N/A	JWB	31JUL01	1078278	