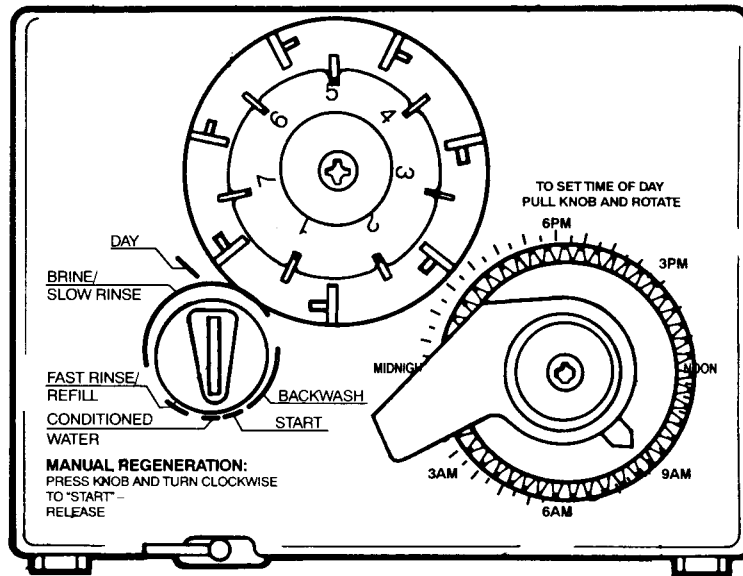


440i Low Voltage Timer Control

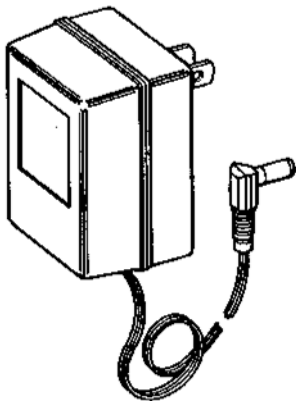
General Information



The 440i low voltage timer control operates the same as the 6-day or 7-day 440 series timer. Please refer to the proper Owners Manual for installation set up and operation of the timer control.

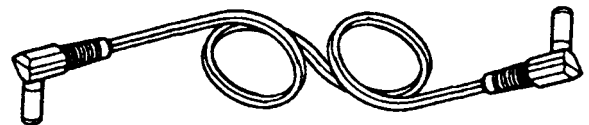
Low Voltage AC Adapter

Only use the included AC adapter for powering the 440i timer. Connect the plug of the AC adapter to the mating socket at the rear of the timer housing on the motor.



Increasing the Length of the AC Adapter Cord

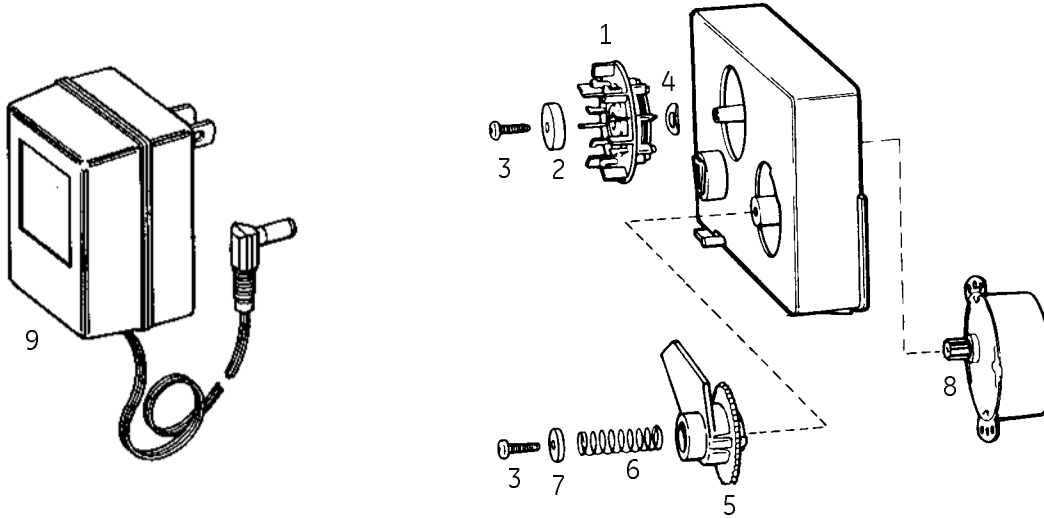
If it is necessary to extend the length of the AC adapter cord, an optional 15 foot (4.6 m) extension is available.



Extension Cord - Part No. 1000907

Be certain that the AC adapter is plugged into a correct voltage source that is not controlled by a wall switch.

440i Timer



Code	Part No.	Description	Qty.	Code	Part No.	Description	Qty.
1		Skipper Wheel Assembly:	1	9		AC Adapter	
	1031740	6-Day			1000811	North American	
	1031742	7-Day	1		1235448	North American, Outdoor	
2	1030659	Washer	1		3019151	North American, Energy Efficient	
3	1006091	Screw, No. 6 x 1/2 in.	7		1000810	Japanese	
4	1006601	Bowed Washer	1		1000812	Australian	
5	1031756	Tripper Arm Assembly	1		1000813	British	
6	1030830	Spring	1		1000814	European	
7	1030821	Retainer	1	*	1000907	AC Adapter Extension Cord	1
8	1001569	Motor, 12 Volt, 60 Hz	1			15 ft. (4.6 m)	
*	1001568	Motor, 12 Volt, 50 Hz	1				