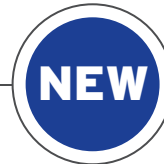




**FLECK**  
Pentair Water



## COMMERCIAL DRAIN LINE FLOW CONTROL



ASSEMBLED CONTROL



DISASSEMBLED CONTROL



FLOW INLET



FLOW OUTLET

Uses the same connectors and quick connect clips as the 7000 Valve to offer flexibility in connection sizes

Connectors will be available in .75", 1", 1.25", and 1.5" sizes

Flow rates range from 8 GPM to 75 GPM

Composed of a tough, corrosion resistant glass reinforced polymer

### FEATURES AND BENEFITS

#### Convenient Flow Button Design

- Easily swapped and interchanged to create desired flows

#### Simple and Sound Mechanical Design

- Easily disassembled with no tools to change flow buttons and clean

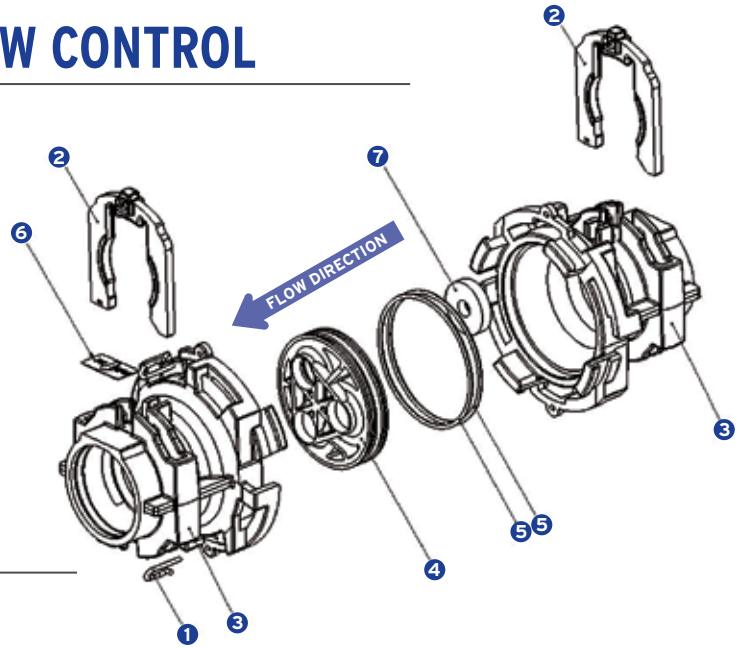
#### Same 7000 Connectors as the 7000 Valve

- Versatility of multiple connections ranging from .75" to 1.5"

# COMMERCIAL DRAIN LINE FLOW CONTROL

## ASSEMBLY CHART

ITEM #	PART #	DESCRIPTION
1	10909	PIN, LINK
2	40576	CLIP, H, PLASTIC, 7000
3	42362	HOUSING, PLASTIC COMM, DLFC
4	42363	RETAINER, PLASTIC COMM, DLFC
5	42364	O-RING, -0.36
6	42365	LABEL, PLASTIC COMM, FC
7	See Flow Button Chart	



## DLFC PART NUMBERS

PART #	DESCRIPTION
61640-00	DLFC, PLASTIC, LESS BTNS W/2 HOLES
61640-000	DLFC, PLASTIC, LESS BTNS W/3 HOLES
61640-01	DLFC, PLASTIC, LESS BTN W/1 HOLE
61640-10	DLFC, PLASTIC 10 GPM
61640-15	DLFC, PLASTIC 15 GPM
61640-20	DLFC, PLASTIC 20 GPM
61640-25	DLFC, PLASTIC 25 GPM
61640-30	DLFC, PLASTIC 30 GPM
61640-35	DLFC, PLASTIC 35 GPM
61640-40	DLFC, PLASTIC 40 GPM
61640-45	DLFC, PLASTIC 45 GPM
61640-50	DLFC, PLASTIC 50 GPM
61640-55	DLFC, PLASTIC 55 GPM
61640-60	DLFC, PLASTIC 60 GPM
61640-65	DLFC, PLASTIC 65 GPM
61640-70	DLFC, PLASTIC 70 GPM
61640-75	DLFC, PLASTIC 75 GPM

## AVAILABLE CONNECTORS

PART #	DESCRIPTION
40565-01	CONNECTOR ASSY, 1 1/4", NPT
40565-11	CONNECTOR ASSY, 1 1/4", BSP
42241-01	CONNECTOR ASSY, 1 1/2", NPT
42241-11	CONNECTOR ASSY, 1 1/2", BSP
42414-01	CONNECTOR ASSY, 3/4", NPT
42414-11	CONNECTOR ASSY, 3/4", BSP
40563-01	CONNECTOR ASSY, 1", NPT
40563-11	CONNECTOR ASSY, 1", BSP

## AVAILABLE FLOW BUTTONS

PART #	DESCRIPTION
17943	WASHER, FLOW, 8.0 GPM
17944	WASHER, FLOW, 9.0 GPM
16529	WASHER, FLOW, 10.0 GPM
16735	WASHER, FLOW, 12.0 GPM
16736	WASHER, FLOW, 15.0 GPM
16528	WASHER, FLOW, 20.0 GPM
16737	WASHER, FLOW, 25.0 GPM

### Assembly instructions for pre-configured DLFCs: (Assemblies are shipped without connectors)

1. Determine the desired flow rate. Select the proper DLFC Part Number for a complete part at the desired flow rate.
2. Select and order the proper connectors to meet your size requirements.
3. Assemble with button assembly aligned properly based on flow direction.
4. Add the proper size connectors and insert quick release clips.

### Assembly instructions for DLFCs less buttons: (Assemblies are shipped without connectors)

1. Select the proper DLFC Part Number less buttons.  
(61640-00, 61640-000, 61640-01)
2. If needed, use a punch to remove the desired knockouts.
3. Install appropriate buttons to match desired flow.
4. Assemble with button assembly aligned properly based on flow direction.
5. Add the proper size connectors and insert quick release clips.



Pentair Water Brookfield • Home of FLECK®  
 20580 Enterprise Avenue, Brookfield, WI 53045 USA  
 Phone: 262.784.4490  
 Toll Free Phone: 888.784.9065  
 Fax: 262.784.7794  
[www.pentairwatertreatment.com](http://www.pentairwatertreatment.com)



© 2007 Pentair Water  
 Printed in U.S.A. Jy07 Part No. 42541