



PERFORMANCE BULLETIN

Product Application Service General news from



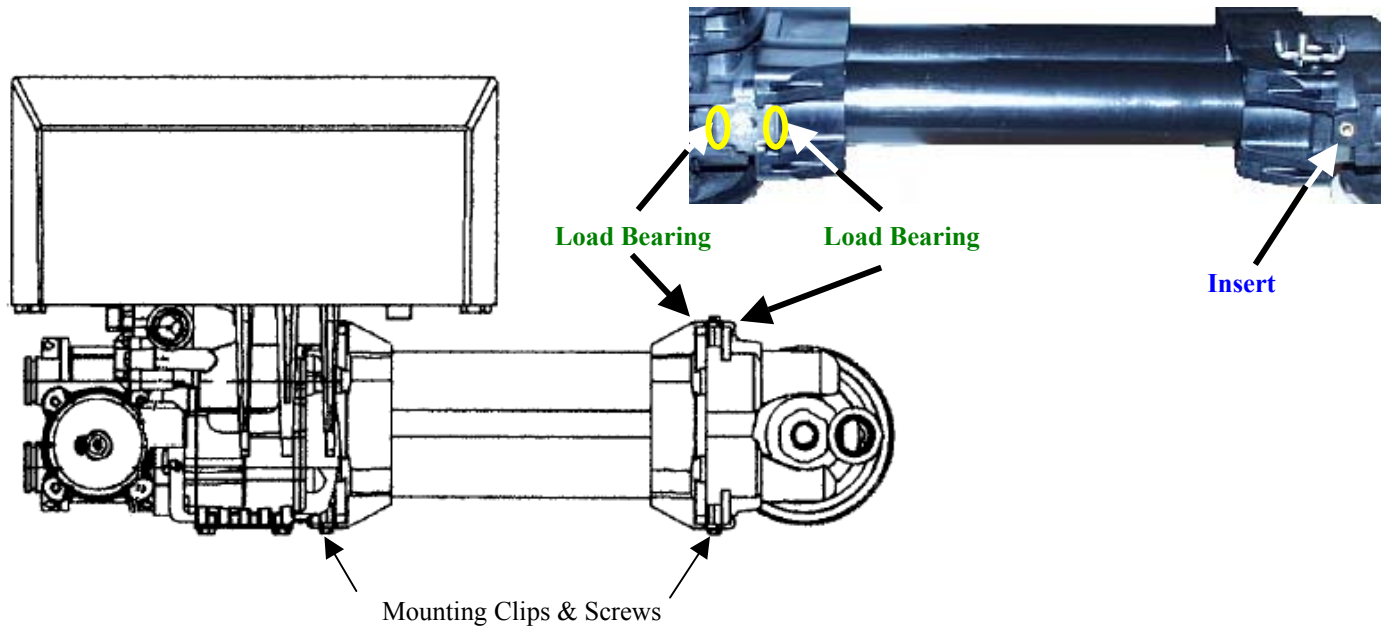
April 2, 2003

9100 Installation Information

When installing the 9100 2nd tank adapter and tube assembly, please keep in mind that the screw holding the mounting clip only needs to be secure against the clip. **Do Not Over Tighten**. The mounting clip absorbs the entire **load**, not the mounting screw. Only tighten the mounting clip screws to a maximum of 10 inch pounds.

If the screw is over tightened, it will pull the **insert** that holds the screw in place away from the valve body and/or 2nd tank adapter. Under pressure this may cause the clip to dislodge allowing the tube assembly to separate from the valve.

Replacement parts are required if the insert is separated from the valve body and/or 2nd tank adapter.



As always, thank you for using Fleck controls.

Sincerely,
Pentair Water Treatment, Inc.

Wayne Ploense
Technical/Sales Support